

GJ65605U
400S403D-11

GJ65605U
2007/12/07

The information given within this parts book was correct at the time of printing and is subject to change without notice. Always refer to your local Perkins outlet for the latest information. Only fully trained personnel should carry out servicing of engines. Before working on any engine always refer to the correct user service and maintenance manual.

Always refer to your local Perkins outlet before purchasing any parts

Subject to any existing rights of third parties, the information given in this document is the property of Perkins Engines Limited and should not be copied, in whole or part, without the prior written consent of the Company.

Contents

1.	Introduction	Pg. 4
2.	How To Use Your Parts Book	Pg. 4
3.	Engine Breakdown	Pg. 5
4.	Symbol Descriptions	Pg. 9
5.	Parts Lists & Illustrations	Pg. 11
6.	Parts Index	Pg. 134

Introduction

The build list of your engine, found on the front page of this parts book, provides a unique reference to the components fitted to your engine; therefore this parts book is only applicable to this particular engine

Always quote your build list and engine serial number when contacting your Perkins outlet.

How to use your Parts Book

This parts book has been designed to provide you with all the information you need to identify parts to service your engine. There are several features within the book to make it easy to find the parts you require.

Front Page

This lists your build list number and the date of publication of this book

Symbol Descriptions

Provides a quick reference guide to the symbols used within the book.

Engine Breakdown

Use this to identify all the major sections of your engine and the relevant pages within the book.

Parts Lists & Illustrations

This section shows each major section of your engine broken down into individual part numbers along with an associated illustration for identifying the parts you require.

The illustrations used in this parts book are representational only and should only be used for identification purposes.

For fitting instructions please refer to your engine Service Manual.

Parts Index

Using either the part number or description of the part you require this section will help you locate the page within the **Parts Lists & Illustrations** section where the part appears.

Section	Page
Cylinder Block ACPG0010	11
Cylinder Block ACPG0010	13
Crankshaft, Pistons & Connecting Rods ACPG0010	15
Crankshaft, Pistons & Connecting Rods ACPG0010	17
Rear End Oil Seal ACPG0010	19
Cylinder Head ACPG0010	21
Cylinder Head ACPG0010	23
Rocker Shaft Assembly ACPG0010	25
Oil Pump ACPG0010	27
Pipes ACPG0010	29
Relief Valve ACPG0010	31
Timing Case ADPG0042	33
Timing Case ADPG0042	35

Section	Page
Timing Case ADPG0042	37
Timing Case ADPG0042	39
Timing Case ADPG0042	41
Camshaft & Gears ADPG0042	43
Camshaft & Gears ADPG0042	45
Fuel Injection Pump AFPG0042	47
High Pressure Fuel Pipes AFPG0042	49
Atomisers AFPG0042	51
Fuel Leak-Off Pipe AFPG0042	53
Flywheel Housing CDPG0016	55
Flywheel & Starter Ring DDPG0017	57
Starter Motor EDPG0006	59
Pulleys FBPG0012	61

Engine Breakdown

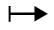
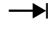
















Section	Page
Lubricating Oil Sump GBPG0025	63
Dipstick & Tube GBPG0025	65
Sump GCPG0000	67
Filler HBPG0010	69
Oil Filter JBPG0000	71
Oil Filter JCPG0000	73
Front End Drive Input KBPG0007	75
Thermostat & Housing LBPG0009	77
Water Pump LBPG0009	79
Water Pump LDPG0008	81
Alternator NDPG0027	83
Drive Belt & Tensioner NEPG0013	85
Blanking Plates QCPCG0010	87

Section	Page
Cylinder Head Cover TBPG0010	89
Air Filter Assembly TDPG0011	91
Pipework & Connections TDPG0011	93
Exhaust Manifold UBPG0010	95
Exhaust Connection UDPG0001	97
Lift Pump VBPG0021	99
Fuel Filter VBPG0021	101
Pipework & Connections VBPG0021	103
Cold Start System WDPG0005	105
Engine Lifting Eyes XBPG0006	107
Throttle & Stop Controls ZAPG0019	109
Heater/Starter Switch ZEPG0001	111
Instrumentation ZJPG0011	113

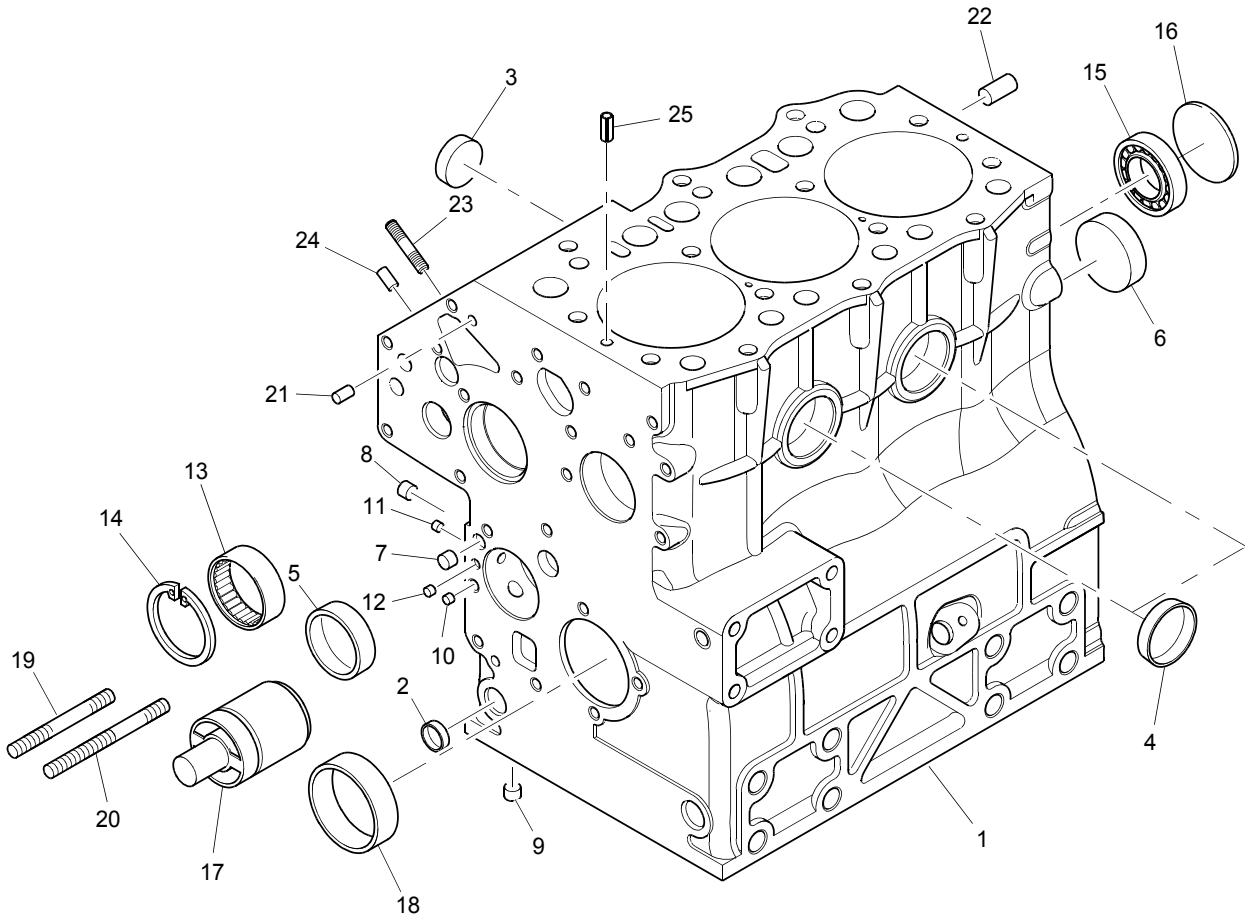
Section	Page
Instrumentation ZLPG0008	115
Radiator & Cowling ZMPG0011	117
Radiator & Cowling ZMPG0011	119
Fan ZMPG0011	121
Guards ZMPG0011	123
Guards ZMPG0011	125
Engine Mounts ZMPG0011	127
Electrical Wiring & Fittings ZPPG0002	129
Fuel Pre-Lift Pump ZVPG0002	131
Application Miscellaneous & Auxiliaries ZZPG0006	133

Engine Breakdown

Symbols and Notes

Symbol	Description
	From Engine Number
	Upto Engine Number
	Repairs and Replaces
	See Appropriate Section - Reference Number
	Alternative
	Order
	Remanufactured Part
	New for Old Part
	Number of Teeth
	Thickness
	Bottom
	Top
	Left Hand
	Right Hand
	Reference for Detailed Breakdown
	Other Service Options Available
	Cylinder Number
	See History Section

ACPG0010



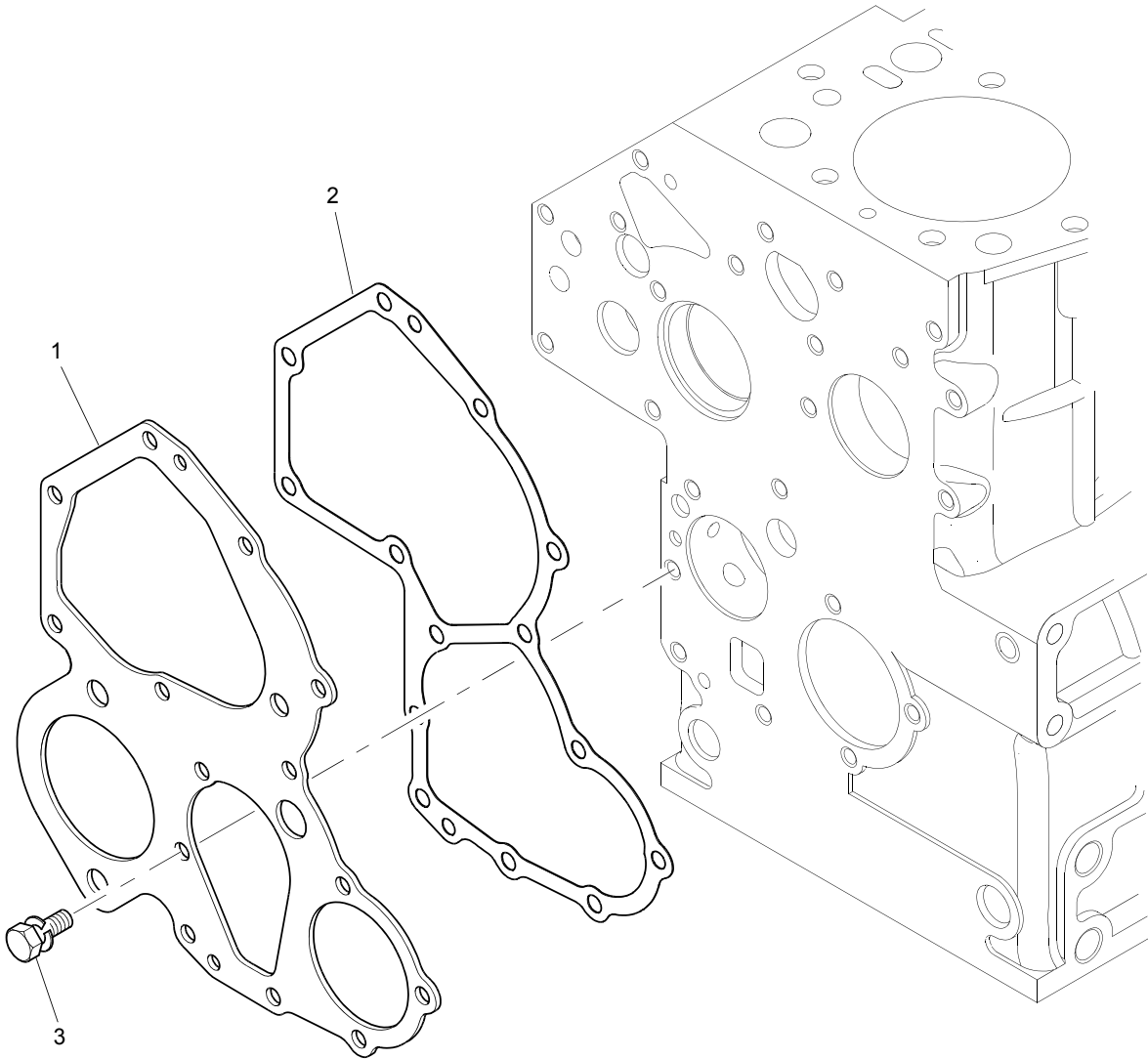
ACPG0010

Item	Part No.	References	Qty.	Description	Notes
1			1	CYLINDER BLOCK	(A)
2	064210015		1	CAP	
3	064210025		1	PLUG	
4	064210035		2	PLUG	
5	064210040		1	PLUG	
6	064210040		1	PLUG	
7	198466010		1	PLUG	
8	198466010		2	PLUG	
9	198466010		1	PLUG	
10	198466940		1	PLUG	
11	198466940		3	PLUG	
12	198466050		1	PLUG	
13	042303015		1	NEEDLE BEARING	
14	036509005		1	CIRCLIP	
15	040106203		1	BALL BEARING	
16	064100045		1	PLUG	
17	165296142		1	SHAFT	
18	198517592	Ⓢ	1	BUSH	
19	012110635		1	STUD	
20	012110660		1	STUD	
21	030500616		2	DOWEL	
22	030501025		2	DOWEL	
23	010109440		2	STUD	
24	030500512		2	DOWEL	
25	030309005		2	PIN	
Service Options					
18	198517596	Ⓢ (-)0.25MM	1	BUSH	

Footnotes

(A) SERVICE BY COMPLETE ENGINE

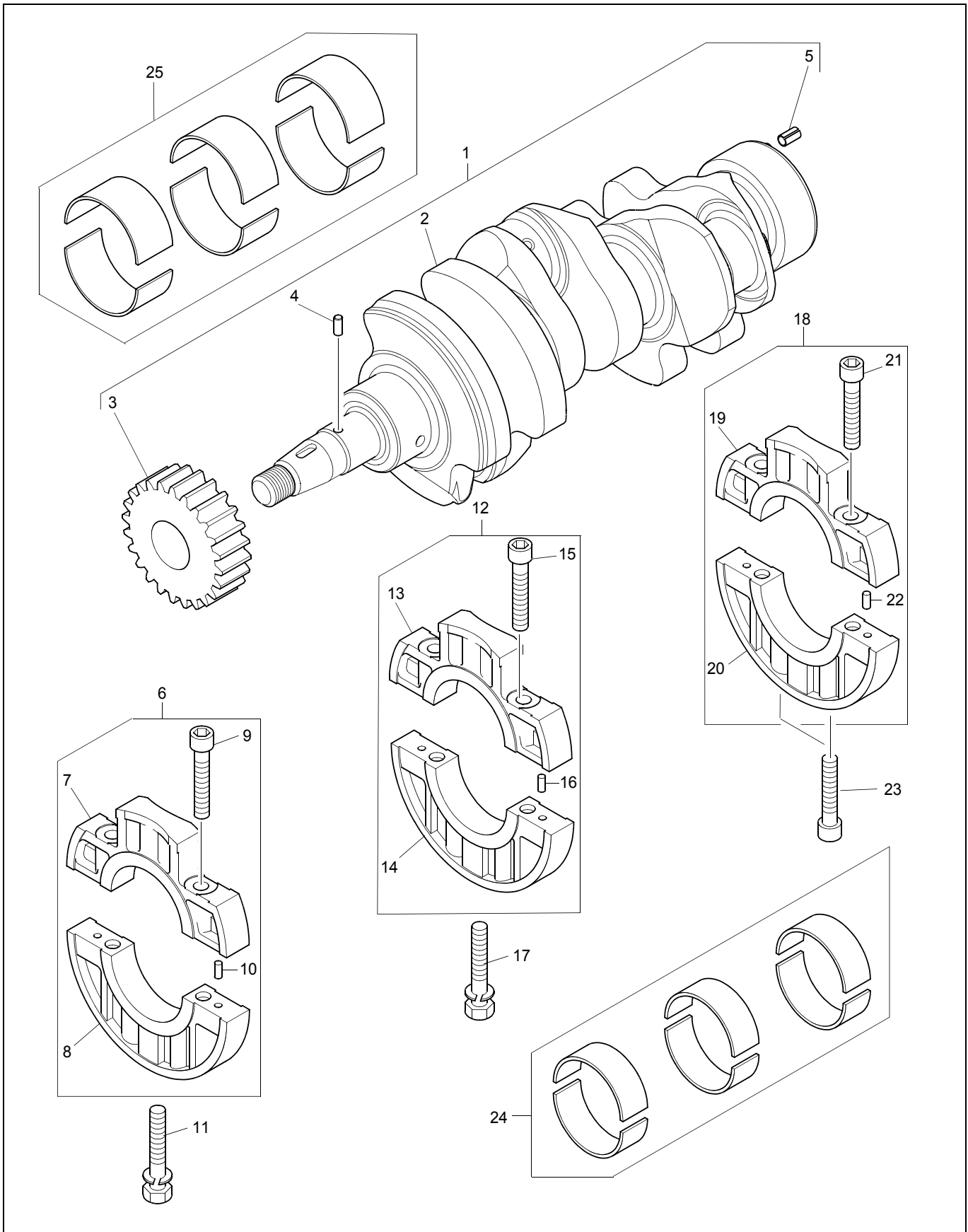
ACPG0010



Cylinder Block	Plate B
	ACPG0010

Item	Part No.	References	Qty.	Description	Notes
1	U65166570		1	PLATE	
2	165996570		1	GASKET - TIMING CASE	
3	011310612		3	SCREW	

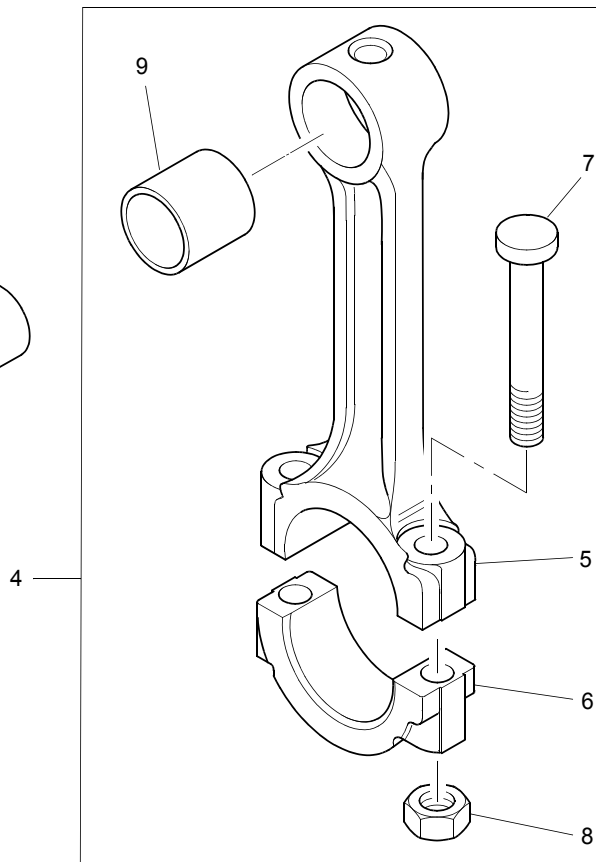
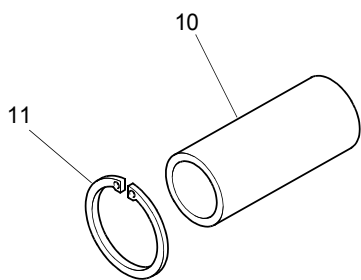
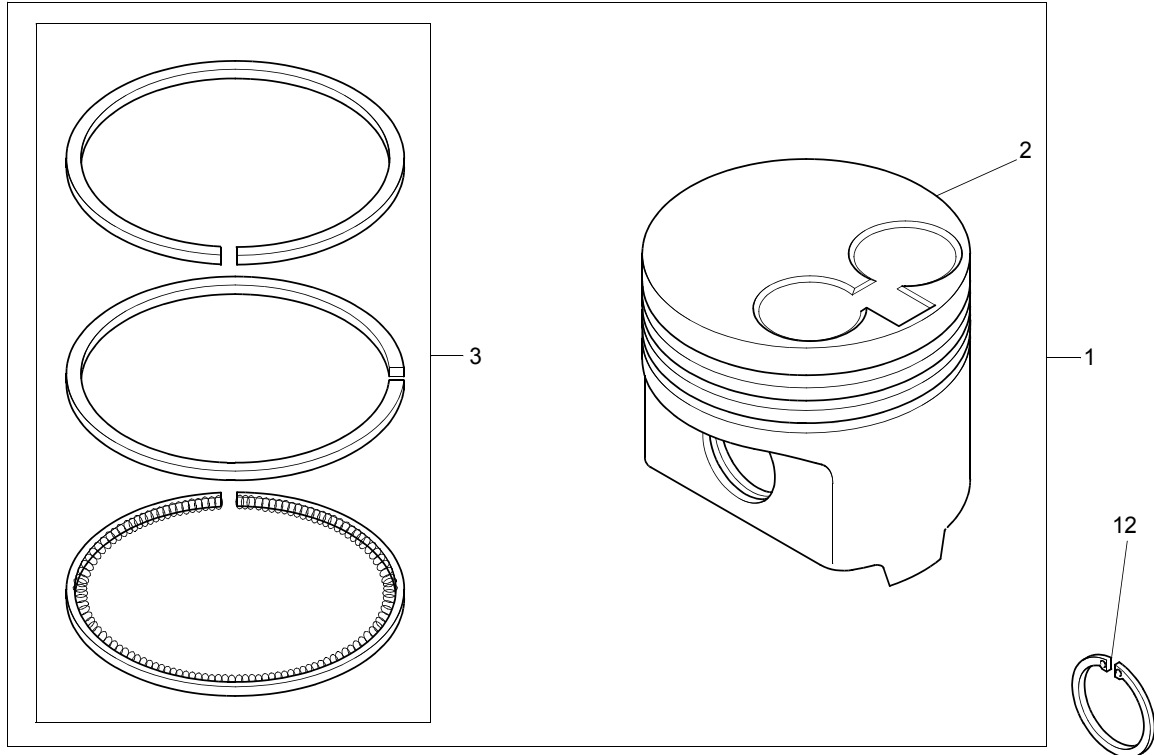
ACPG0010



ACPG0010

Item	Part No.	References	Qty.	Description	Notes
1	115256970		1	CRANKSHAFT ASSEMBLY	
2		⇒ 115256970	1	CRANKSHAFT	
3	115276280		1	CRANKSHAFT GEAR	
4	030509020		1	KEY	
5	030300816		1	PIN	
6	110156400		1	BEARING HOLDER ASSEMBLY	
7		⇒ 110156400	1	BEARING CAP	
8		⇒ 110156400	1	BEARING CAP	
9	010810840		2	SCREW	
10	030500612		2	DOWEL	
11	011510850		1	SCREW	
12	110156410		1	BEARING HOLDER ASSEMBLY	
13		⇒ 110156410	1	BEARING CAP	
14		⇒ 110156410	1	BEARING CAP	
15	010810840		2	SCREW	
16	030500612		2	DOWEL	
17	011510850		1	SCREW	
18	110156420		1	BEARING HOLDER ASSEMBLY	
19		⇒ 110156420	1	BEARING CAP	
20		⇒ 110156420	1	BEARING CAP	
21	010810845		2	BOLT	
22	030500612		2	DOWEL	
23	010700845		2	SCREW	
24	U5MB0026	Ⓢ	1	MAIN BEARING KIT	
25	U5ME0031	Ⓢ	1	BIG END BEARING KIT	
Service Options					
24	U5MB0026A		1	MAIN BEARING KIT	
25	U5ME0031A	⚖ (-) 0.25MM	1	BIG END BEARING KIT	

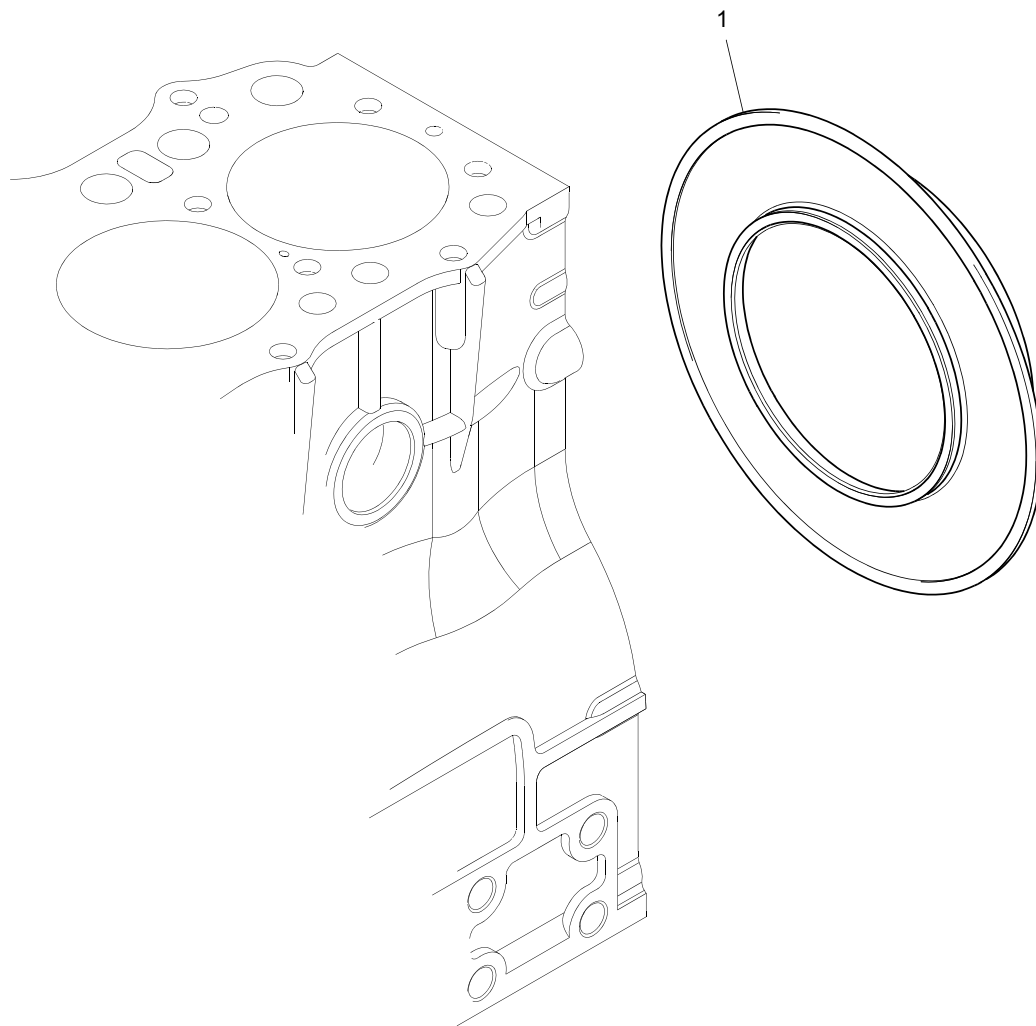
ACPG0010



ACPG0010

Item	Part No.	References	Qty.	Description	Notes
1	115017620		3	PISTON AND RING KIT	
2		⇒ 115017620	1	PISTON	
3	115104090		1	PISTON RING KIT	
4	115026340		3	CON ROD ASSEMBLY	
5		⇒ 115026340	1	CON ROD	
6		⇒ 115026340	1	CAP	
7	115176150		2	CON ROD BOLT	
8	020109075		2	CON ROD NUT	
9	198517125		1	SMALL END BUSH	
10	115326231		3	GUDGEON PIN	
11	036500021		3	CIRCLIP	
12	036500021		3	CIRCLIP	

ACPG0010

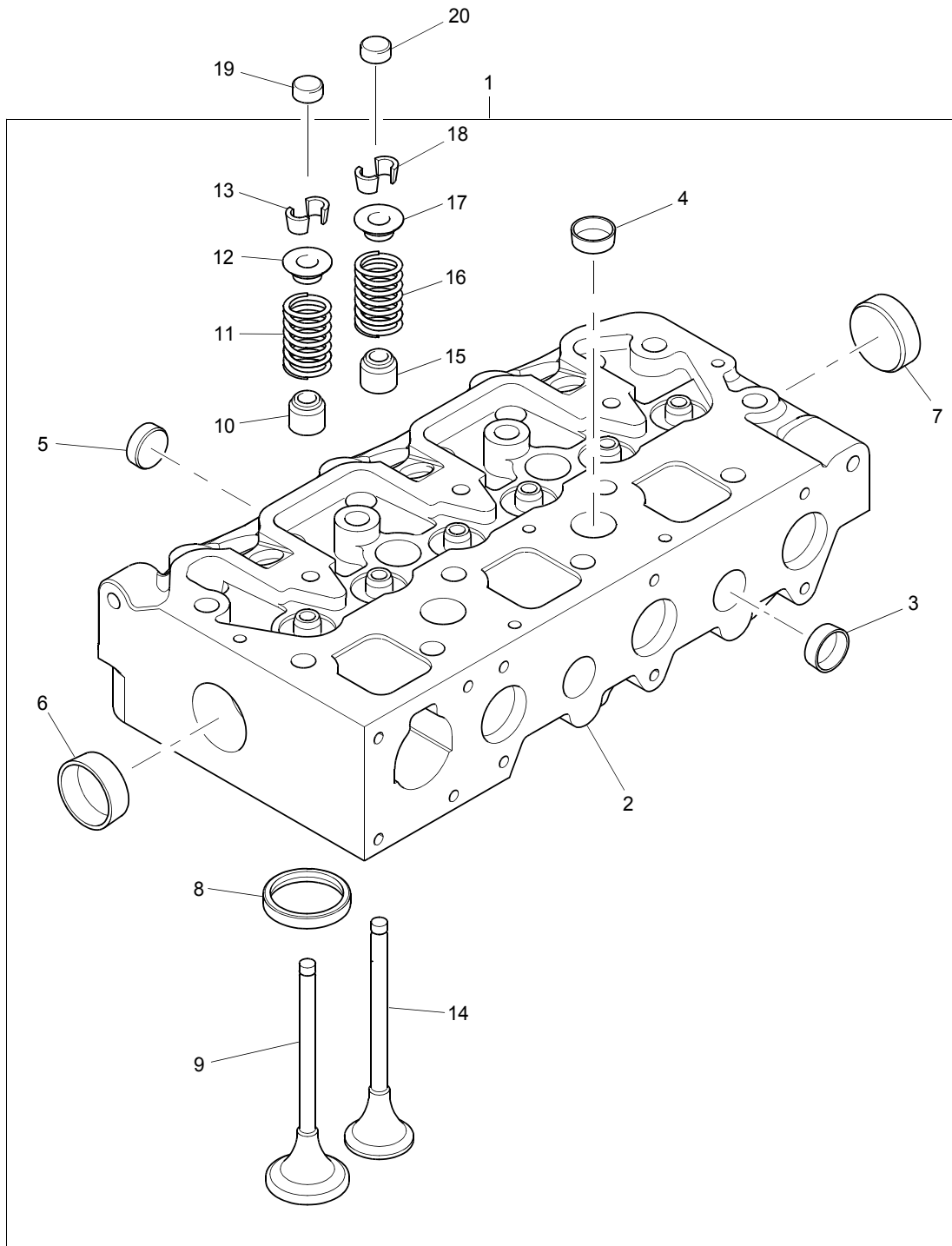


Rear End Oil Seal	Plate A
ACPG0010	

Item	Part No.	References	Qty.	Description	Notes
1	050209107		1	SEAL - REAR END OIL	(A,B)

Footnotes	
(A)	SEE SERVICE BULLETIN NO.195
(B)	ALSO ORDER WEAR SLEEVE - 29990038

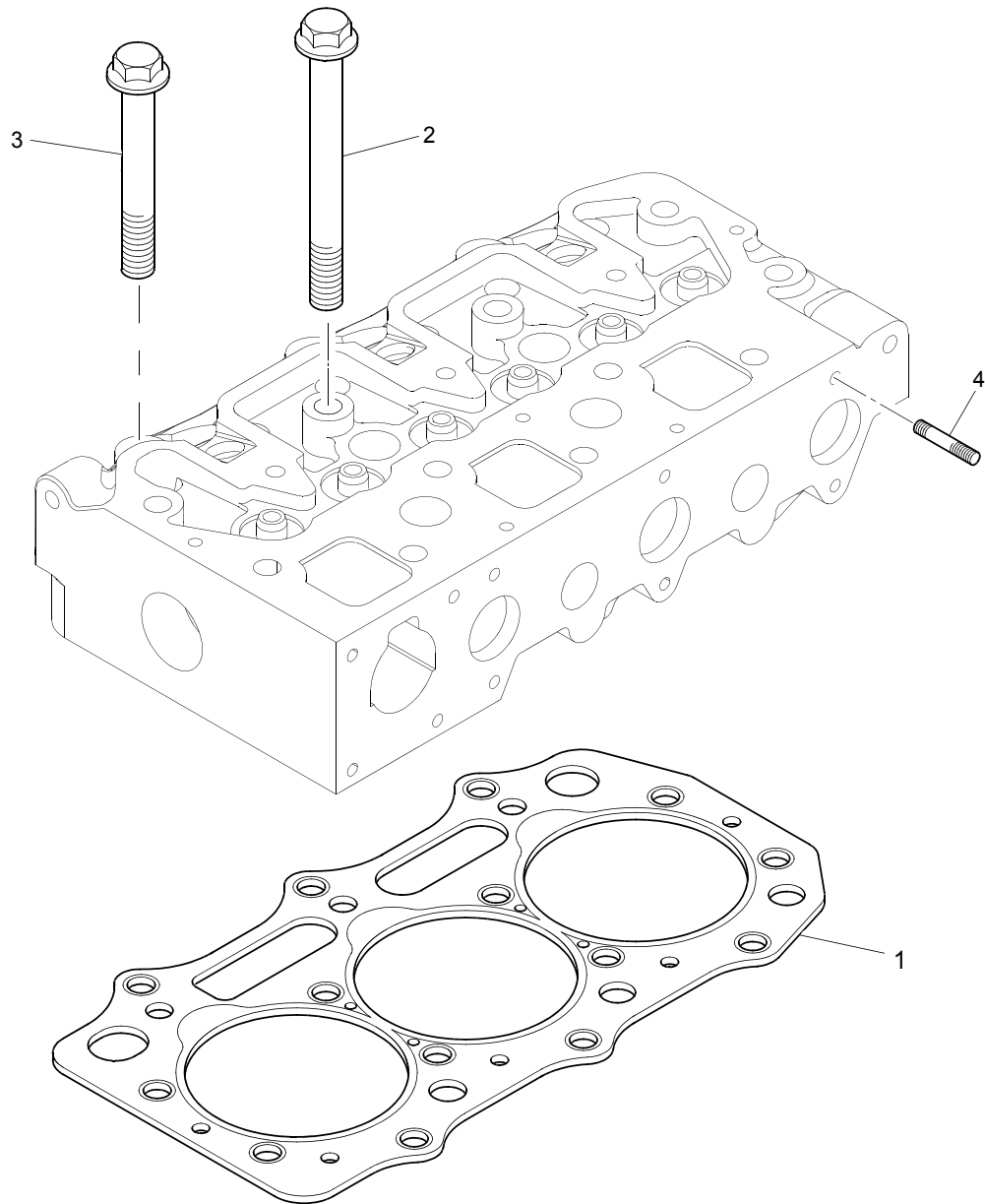
ACPG0010



ACPG0010

Item	Part No.	References	Qty.	Description	Notes
1	111011020		1	CYLINDER HEAD ASSEMBLY	
2	—	⇒ 111011020	1	CYLINDER HEAD	
3	—064210018		2	CAP	
4	—064210018		4	CAP	
5	—064210018		2	CAP	
6	—064210030		1	CAP	
7	—064210030		1	CAP	
8	—TPN645		1	VALVE SEAT INSERT	
9	—120166360		3	INTAKE VALVE	
10	—120406070		3	SEAL - VALVE STEM	(A)
11	—198216700		3	VALVE SPRING	
12	—120186080		3	CAP	
13	—120226070		6	VALVE COLLET	
14	—120176250		3	EXHAUST VALVE	
15	—120406050		3	SEAL - VALVE STEM	(B)
16	—198216700		3	VALVE SPRING	
17	—120186080		3	CAP	
18	—120226070		6	VALVE COLLET	
19	120216040		3	VALVE SPRING CAP	
20	120216040		3	VALVE SPRING CAP	
Footnotes					
(A)	INLET				
(B)	EXHAUST				

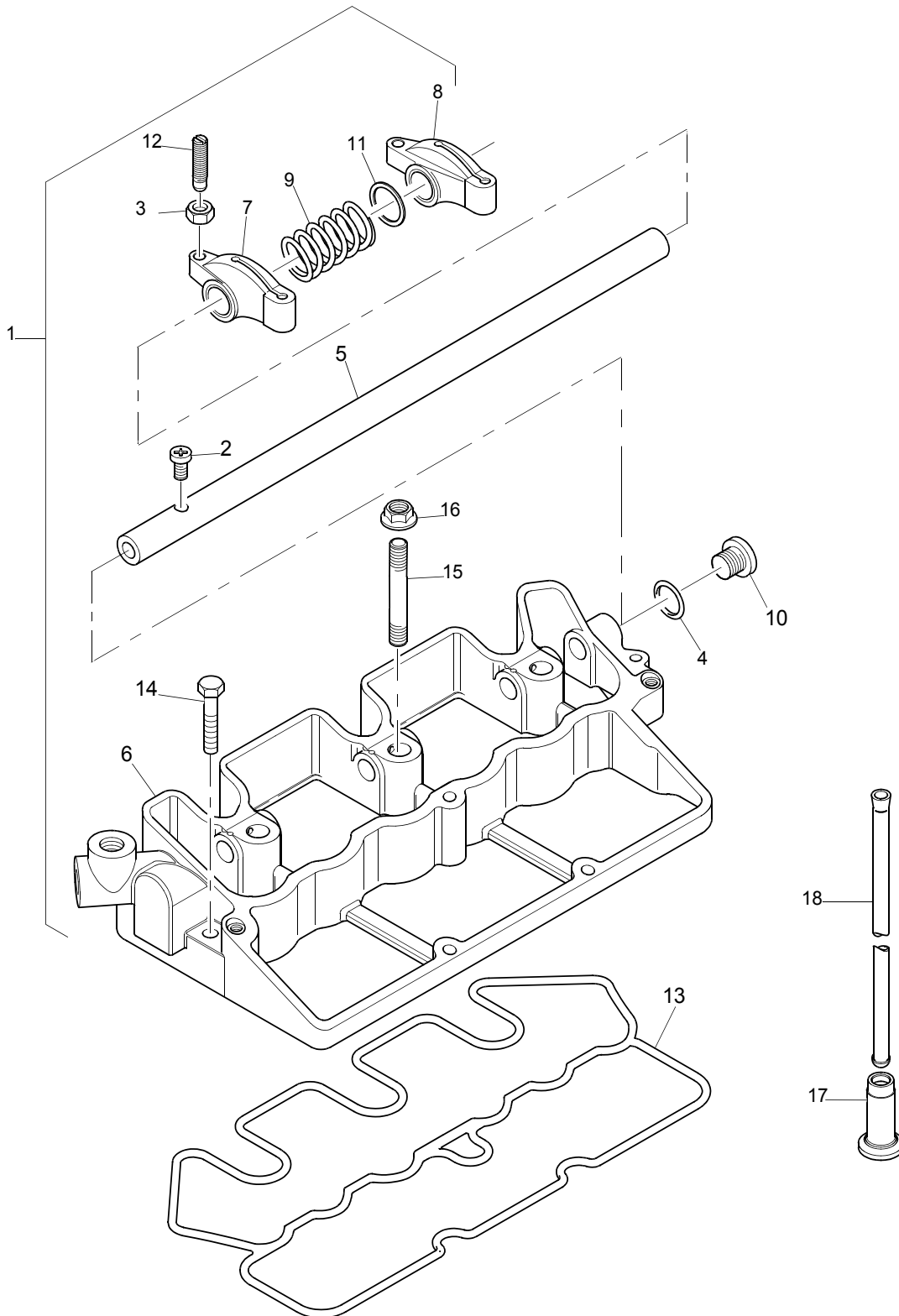
ACPG0010



Cylinder Head	Plate B
	ACPG0010

Item	Part No.	References	Qty.	Description	Notes
1		Ⓢ	1	CYLINDER HEAD GASKET	
2	111136440		11	SCREW	
3	111136450		3	SCREW	
4	012110625		2	STUD	
Service Options					
1	111147560	$\frac{3}{8}$ 1.2MM	1	GASKET - CYLINDER HEAD	
1	111147570	$\frac{3}{8}$ 1.3MM	1	GASKET - CYLINDER HEAD	

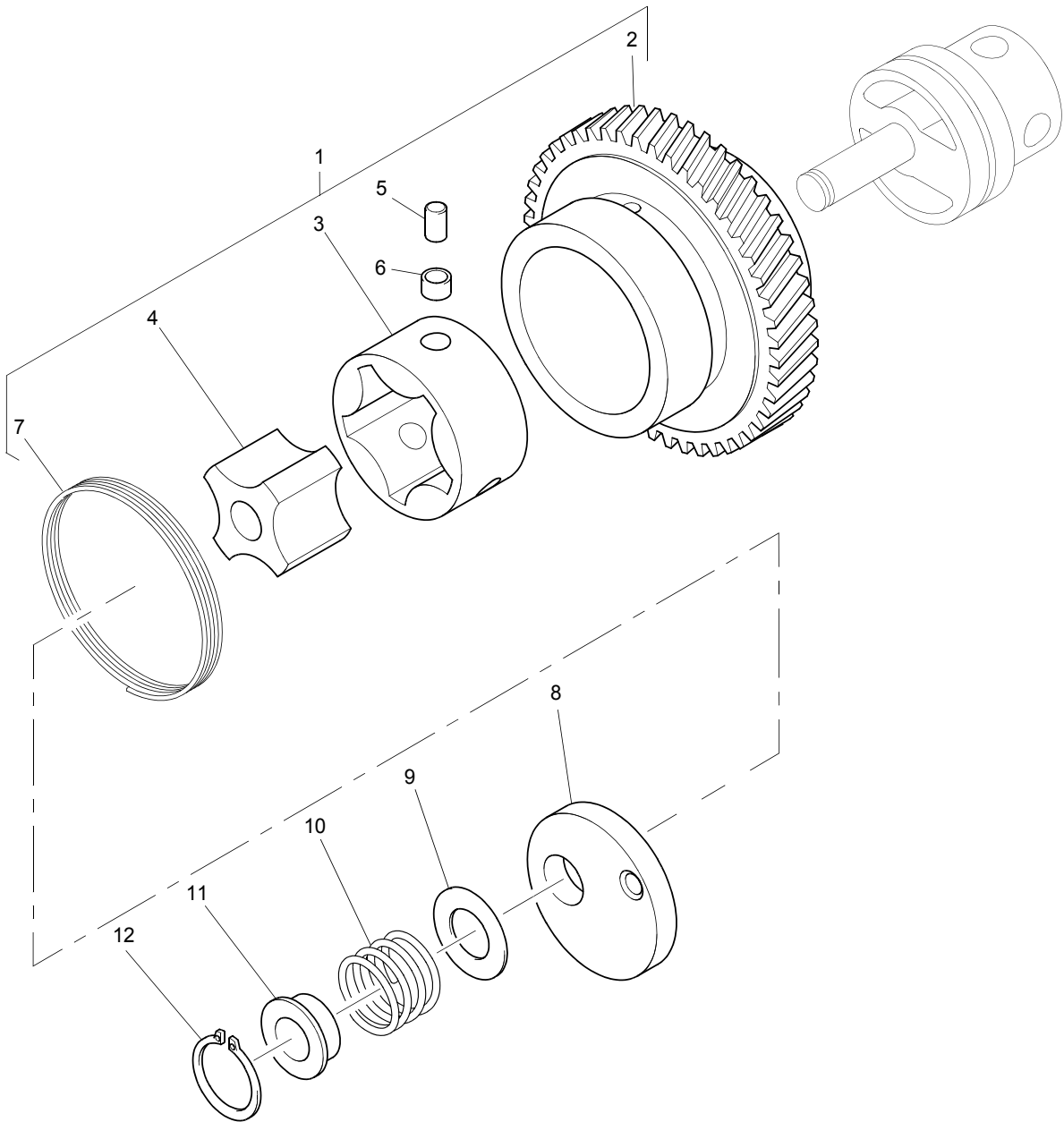
ACPG0010



ACPG0010

Item	Part No.	References	Qty.	Description	Notes
1	120036901		1	ROCKER BOX ASSEMBLY	
2	—015100410		1	SCREW	
3	—020109076		6	NUT	
4	—052100120		1	SEAL - O RING	
5	—120316300		1	ROCKER SHAFT	
6	—	⇒ 120036901	1	ROCKER SHAFT BRACKET	
7	—120356200		3	ROCKER ARM ASSEMBLY	
8	—120356210		3	ROCKER ARM ASSEMBLY	
9	—198216780		2	ROCKER SHAFT SPRING	
10	—198436150		1	PLUG	
11	—199280280		4	WASHER	
12	—199486220		6	ADJUSTING SCREW	
13	120996150		1	SEAL - ROCKER BOX	
14	011310625		2	SCREW	
15	012109177		3	STUD	
16	023100008		3	NUT	
17	120116160		6	TAPPET	
18	120456222		6	PUSHROD	

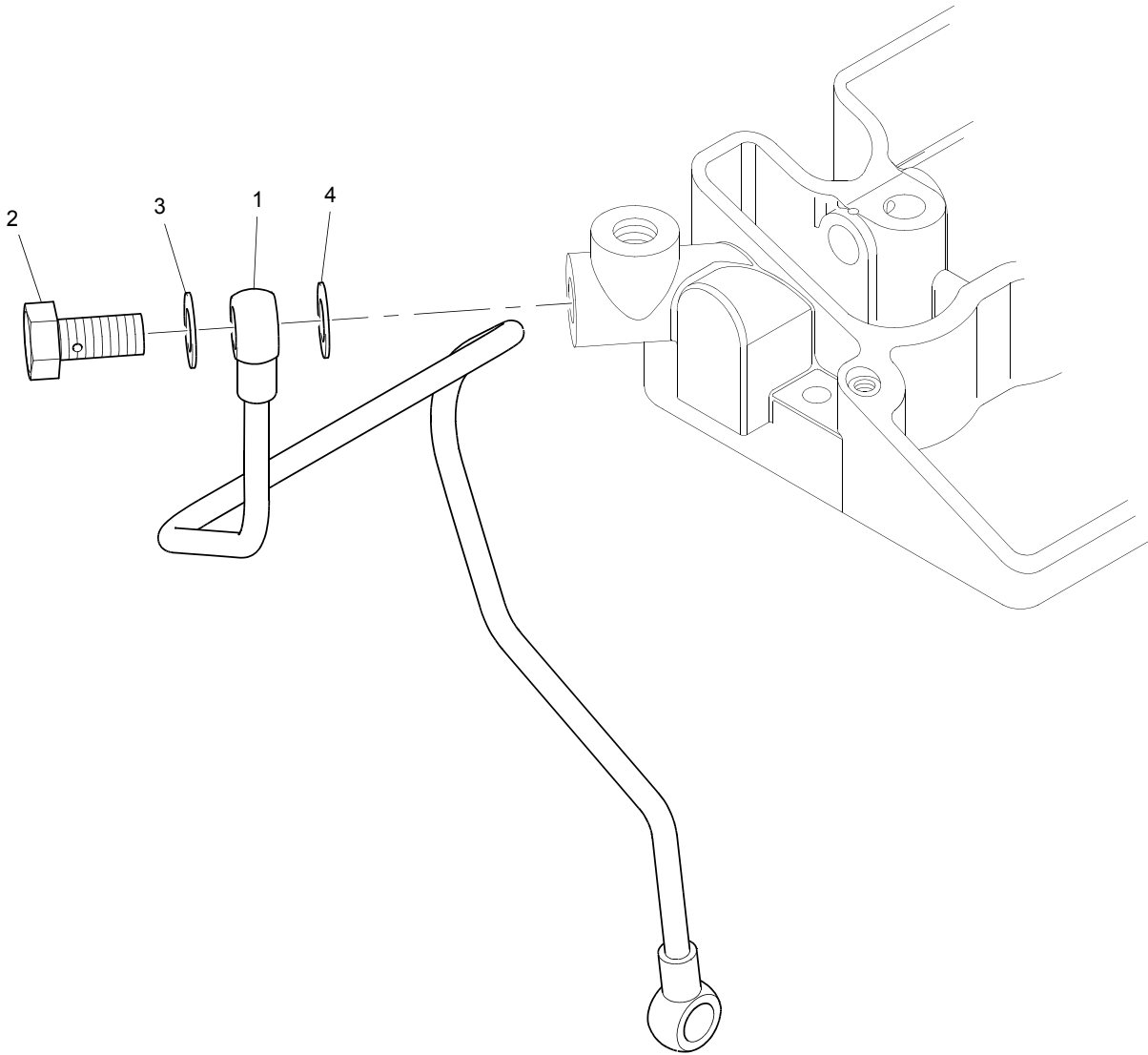
ACPG0010



ACPG0010

Item	Part No.	References	Qty.	Description	Notes
1	165026250		1	IDLER GEAR	
2		⇒ 165026250	1	GEAR	
3		⇒ 165026250	1	ROTOR	
4		⇒ 165026250	1	ROTOR	
5	030509018		3	DOWEL	
6	198517290		3	BUSH	
7	198216821		1	SPRING	
8	140116140		1	COVER	
9		Ⓢ	1	SHIM	
10	198216720		1	SPRING	
11	199236540		1	COLLAR	
12	036800010		1	CIRCLIP	
Service Options					
9	199286150	⅜ (+)0.10MM	1	SHIM	
9	199286160	⅜ (+)0.15MM	1	SHIM	
9	199286170	⅜ (+)0.20MM	1	SHIM	
9	199286180	⅜ (+)0.50MM	1	SHIM	

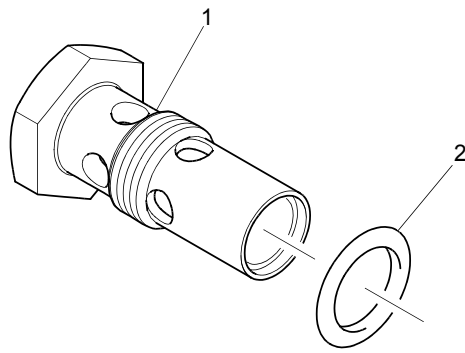
ACPG0010



Pipes	Plate A
	ACPG0010

Item	Part No.	References	Qty.	Description	Notes
1	140607270		1	OIL PIPE	
2	198486780		1	BOLT	
3	140996260		1	WASHER	
4	140996260		1	WASHER	

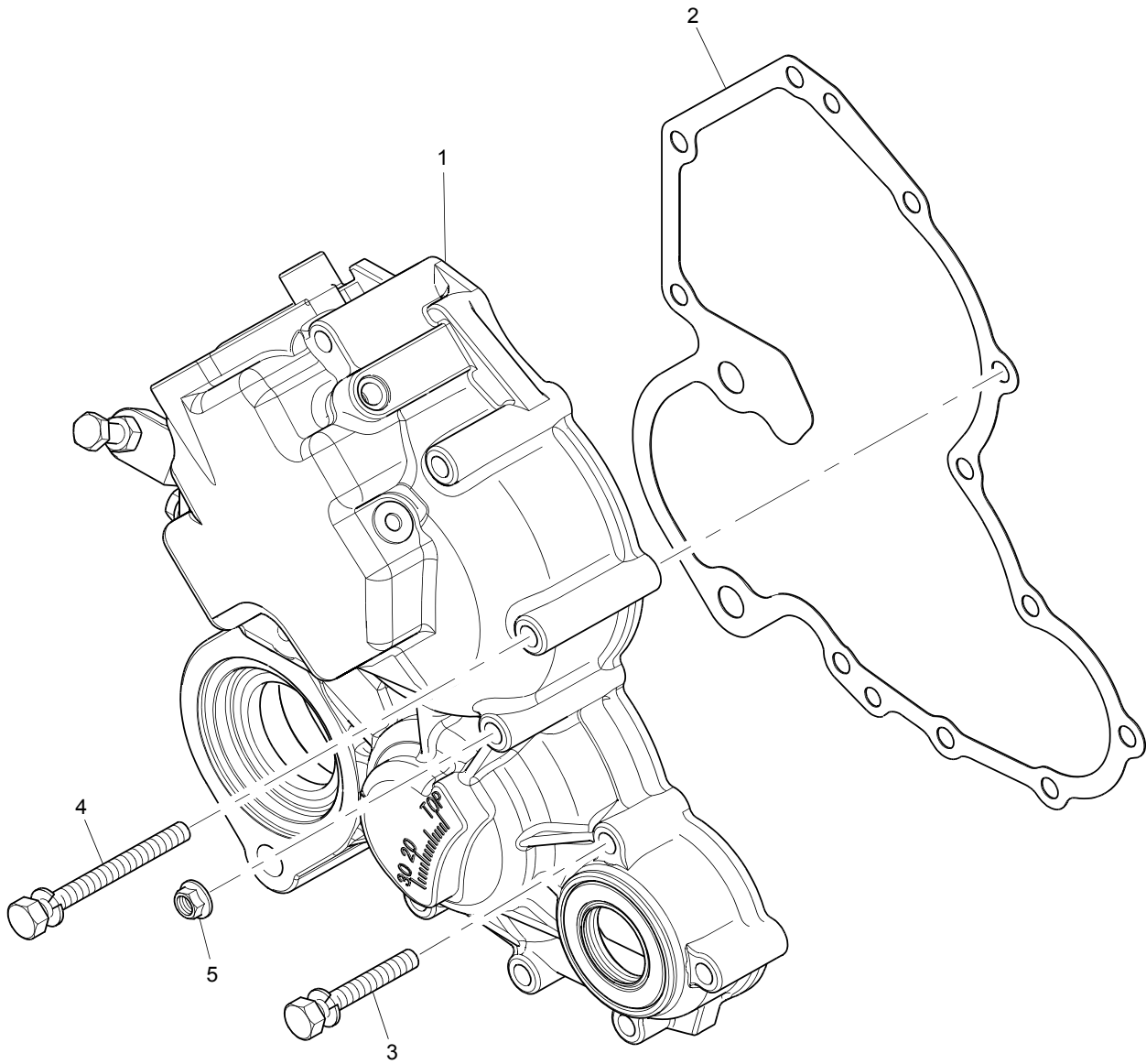
ACPG0010



Relief Valve	Plate A
	ACPG0010

Item	Part No.	References	Qty.	Description	Notes
1	140036220		1	RELIEF VALVE	
2	052109078		1	SEAL - O RING	

ADPG0042

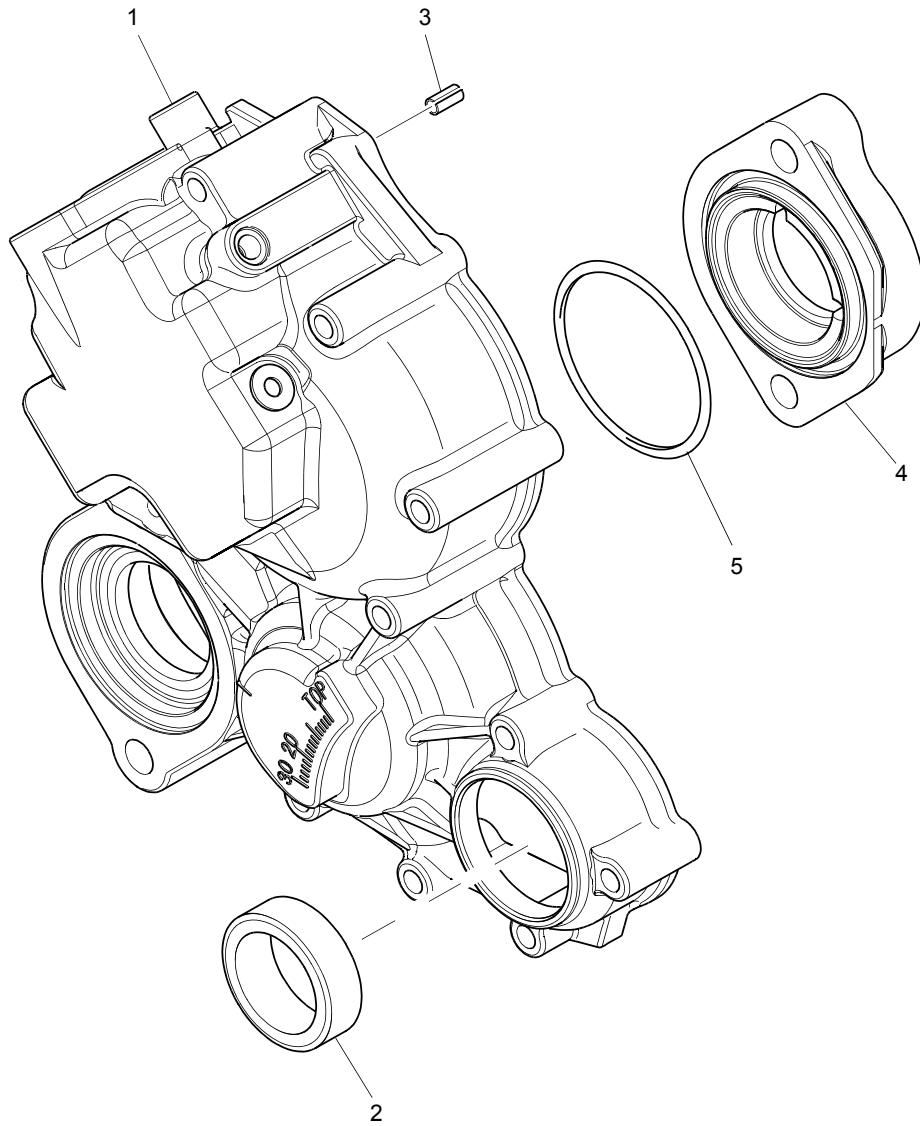


Timing Case	Plate A
	ADPG0042

Item	Part No.	References	Qty.	Description	Notes
1			1	TIMING CASE	(A)
2	165996621		1	GASKET - TIMING CASE	
3	011310640		5	SCREW	
4	011310660		5	SCREW	
5	023100006		1	NUT	

Footnotes					
(A)	SEE FOLLOWING PARTS LIST FOR SERVICE COMPONENTS				

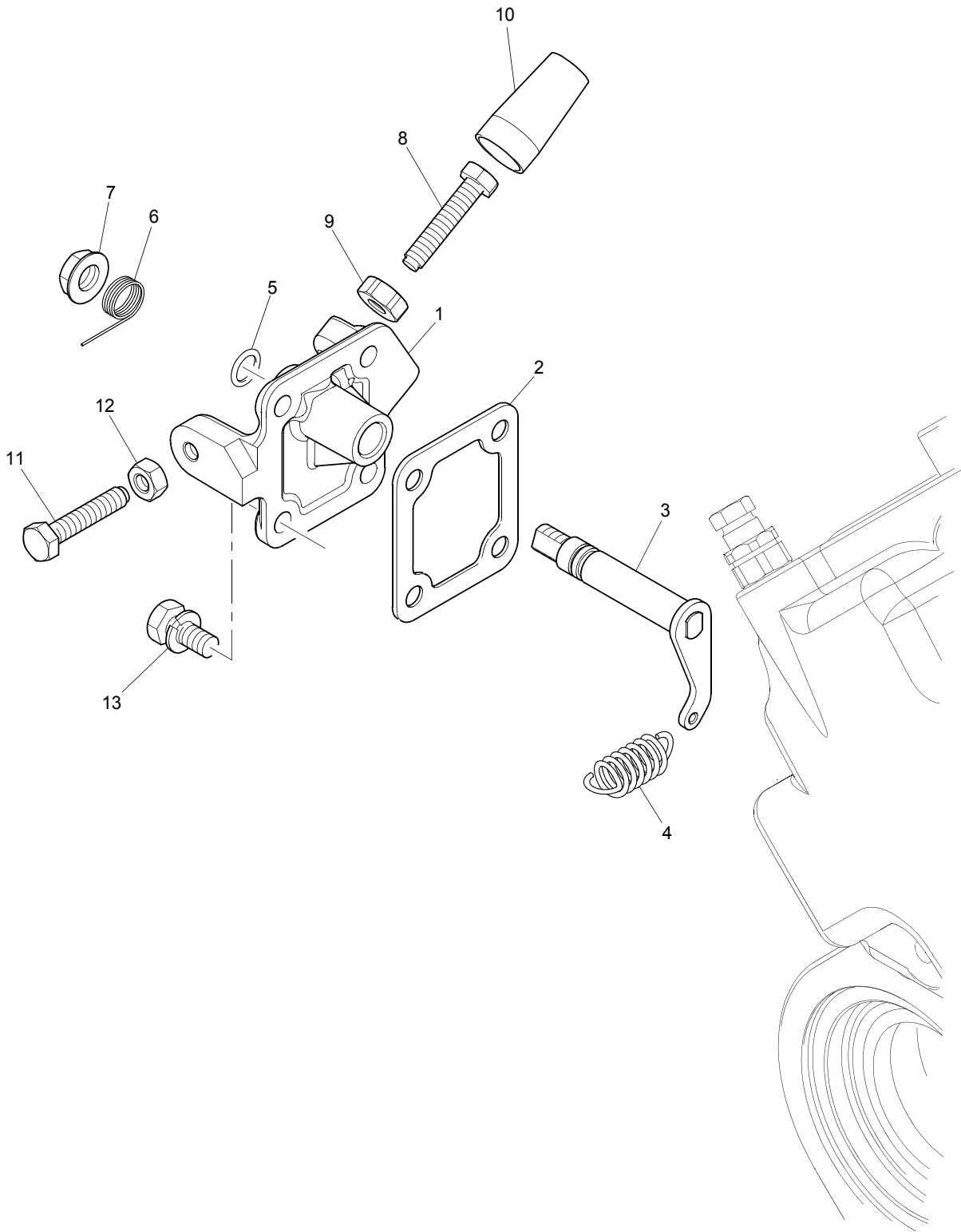
ADPG0042




Timing Case	Plate B
	ADPG0042

Item	Part No.	References	Qty.	Description	Notes
1	165106860		1	TIMING CASE	
2	198636090		1	SEAL - FRONT END OIL	
3	030300414		1	PIN	
4	110416280		1	BEARING HOLDER ASSEMBLY	
5	052300600		1	SEAL - O RING	

ADPG0042



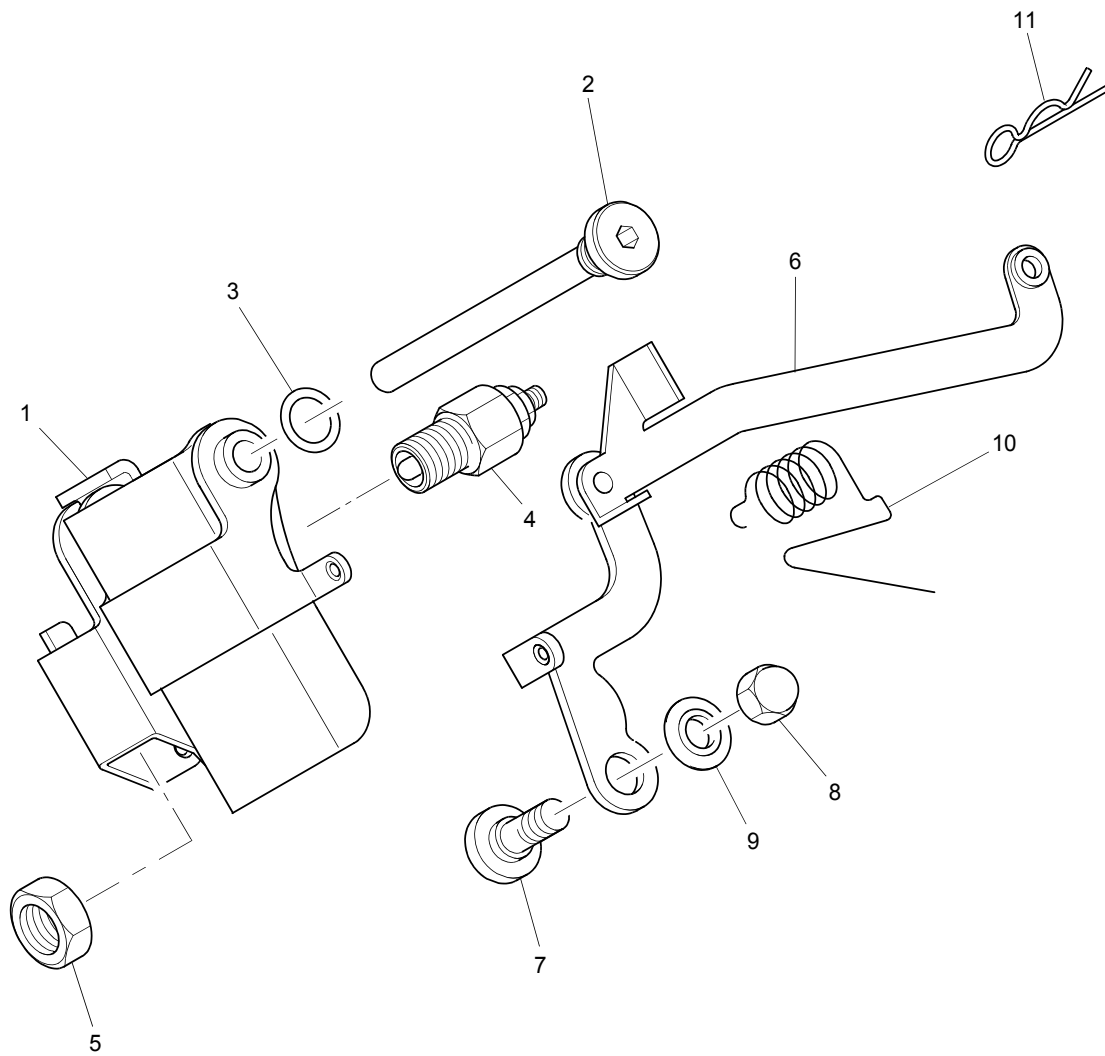
ADPG0042

Item	Part No.	References	Qty.	Description	Notes
1	125616120		1	BRACKET	
2	165996640		1	GASKET	
3	125156262	 a.	1	ARM	
4	198217870		1	SPRING	
5	052100070		1	SEAL - O RING	
6	198217750		1	SPRING	
7	023100008		1	NUT	
8	2315C039		1	SCREW	
9	2648A120		1	NUT	
10	26420462		1	ANTI-TAMPER CAP	
11	2315C039		1	SCREW	
12	2318A207		1	NUT	
13	011310614		4	SCREW	



History**a.**

3	125156261		1	ARM	
---	-----------	--	---	-----	--

ADPG0042



ADPG0042

Item	Part No.	References	Qty.	Description	Notes
1	125046613	 a.	1	CONTROL LEVER	
2	125116221		1	SHAFT	
3	052100080		1	SEAL - O RING	
4	131046560		1	SPEED SENSOR	
5	020800010		1	NUT	
6	125306121	 b.	1	CONTROL LEVER	
7	125116211		1	SHAFT	
8	024500006		1	NUT	
9	025100006		1	WASHER	
10	198217880		1	SPRING	
11	031100004		1	PIN	

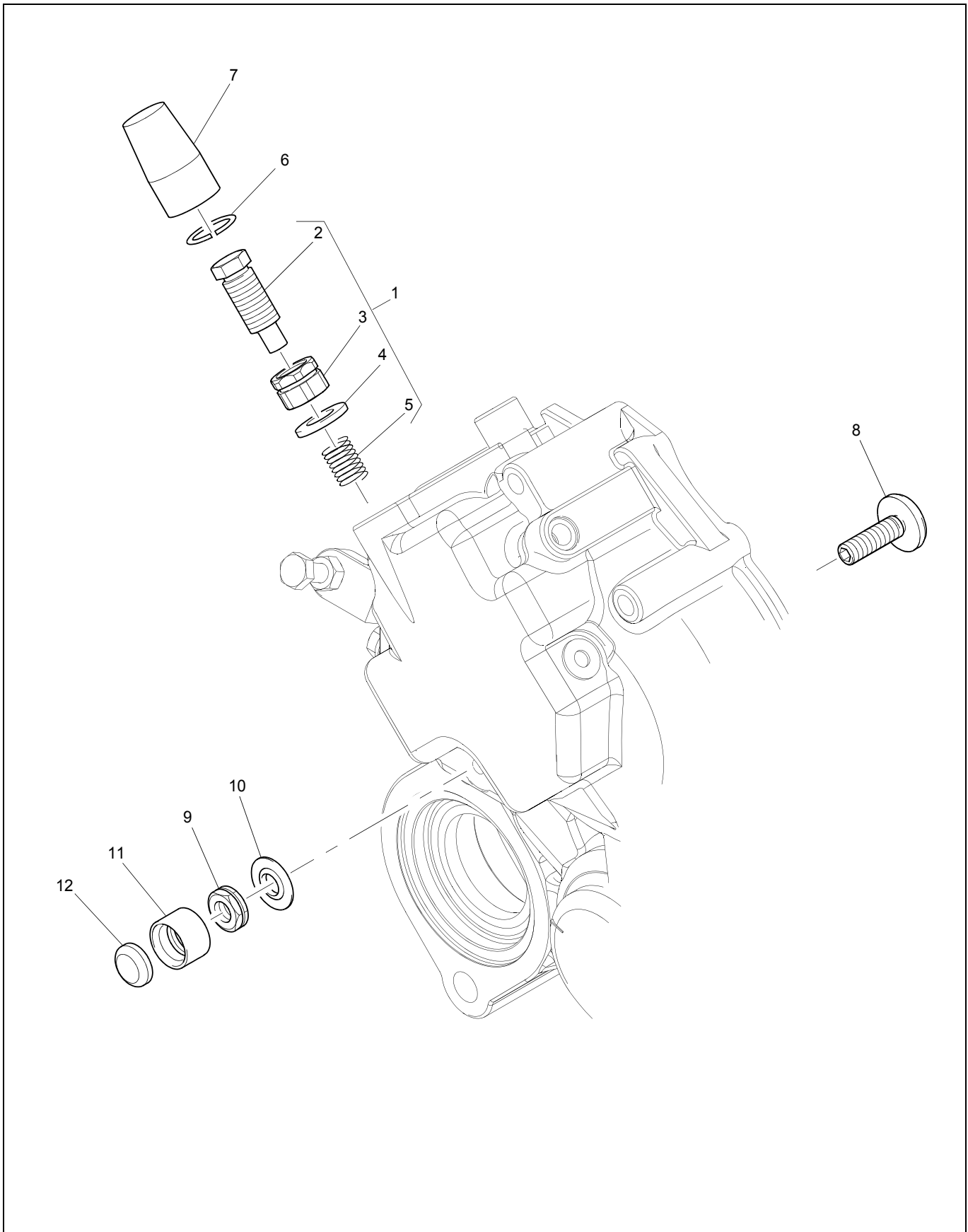
History**a.**

1 125046612 1 CONTROL LEVER

b.

6 125306120 1 CONTROL LEVER

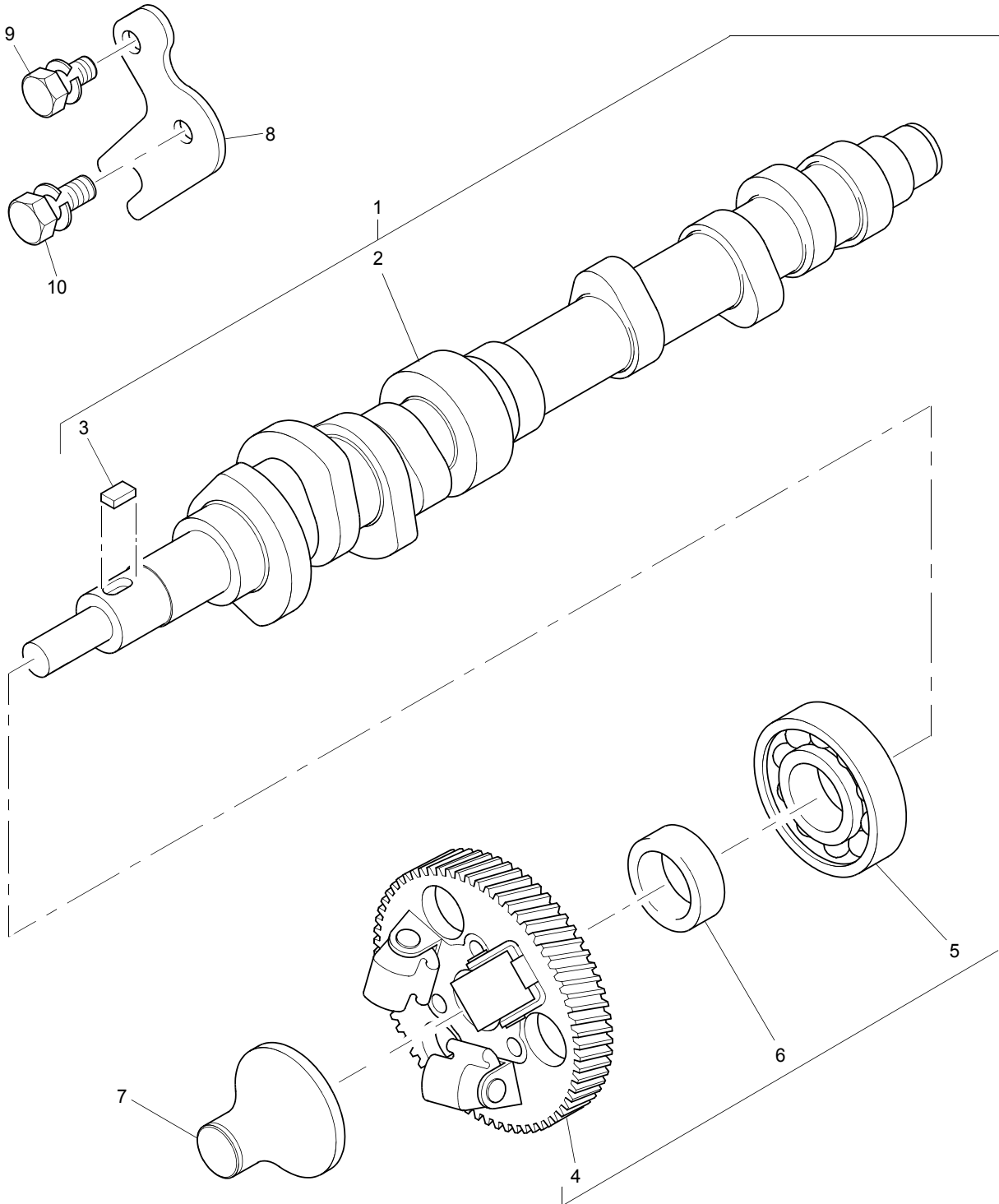
ADPG0042



ADPG0042

Item	Part No.	References	Qty.	Description	Notes
1	131046640		1	SCREW	
2		⇒ 131046640	1	BOLT	
3	020109177		1	NUT	
4	025100010		1	WASHER	
5	198217900		1	SPRING	
6	198346160		1	RING	
7	131276440		1	ANTI-TAMPER CAP	
8	131466251		1	BOLT	
9	020109231		1	NUT	
10	025100006		1	WASHER	
11	131466270		1	ANTI-TAMPER CAP	
12	064210012		1	CAP	

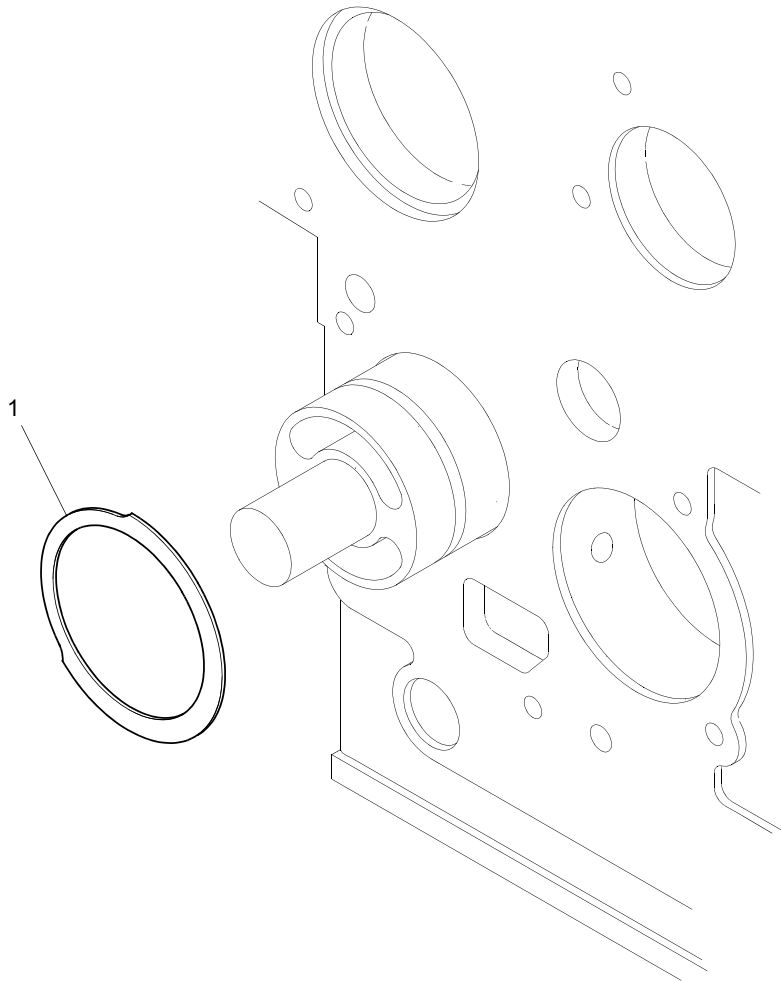
ADPG0042



ADPG0042

Item	Part No.	References	Qty.	Description	Notes
1	120026890		1	CAMSHAFT ASSEMBLY	
2		⇒ 120026890	1	CAMSHAFT	
3	—034100508		1	WOODRUFF KEY	
4	—120016220		1	CAMSHAFT GEAR	
5	—040109059		1	BALL BEARING	
6	—199216320		1	SPACER	
7	125256220		1	SLIDER	
8	199566651		1	PLATE	
9	010700610		1	SCREW	
10	011310612		1	SCREW	

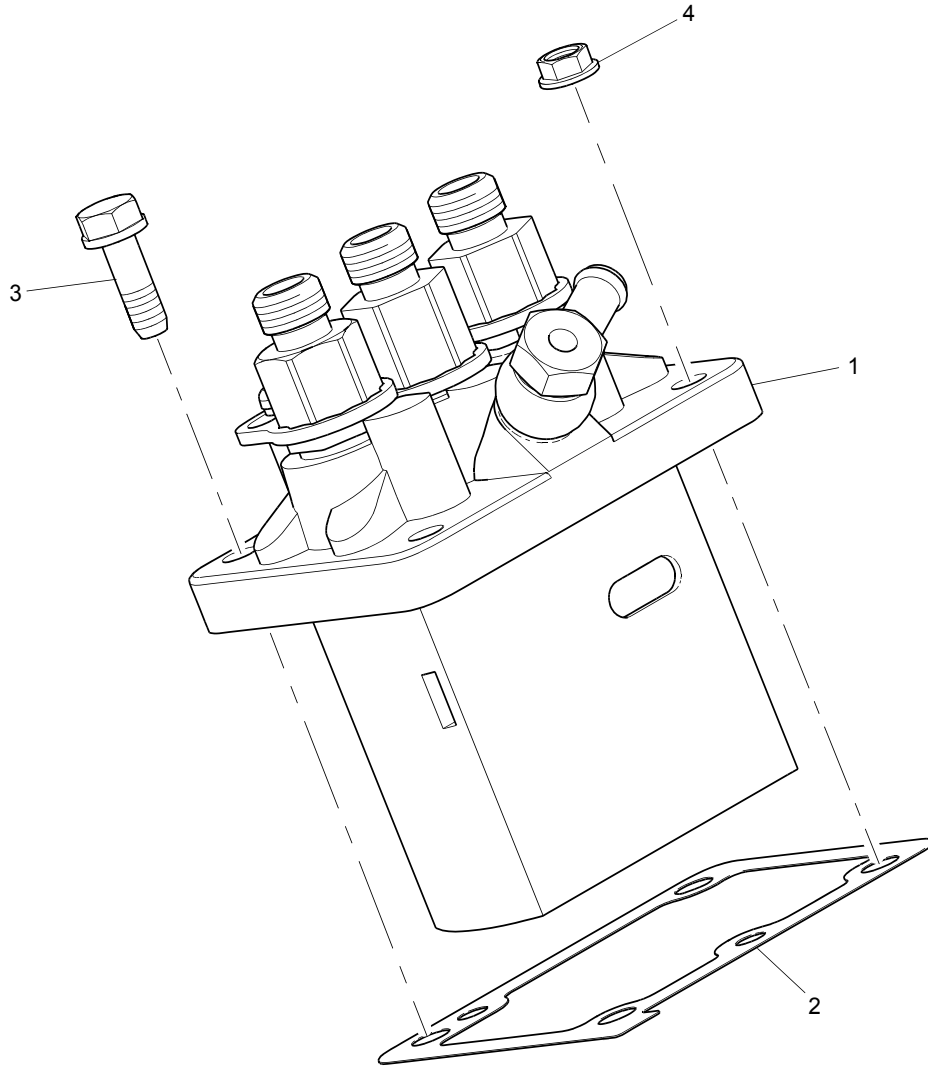
ADPG0042



ADPG0042

Item	Part No.	References	Qty.	Description	Notes
1	199266180		1	WASHER	

AFPG0042



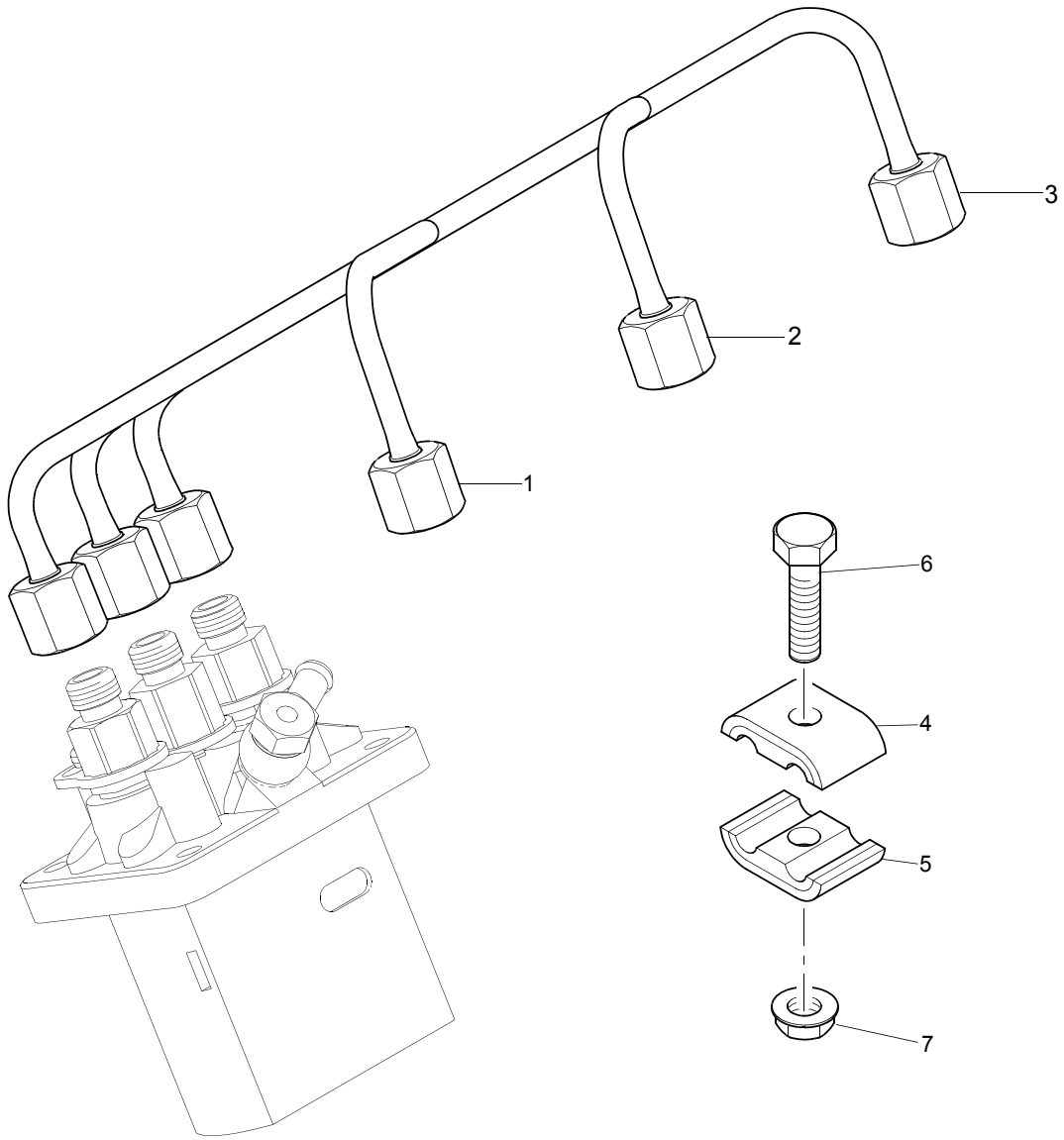
Fuel Injection Pump

Plate A

AFPG0042

Item	Part No.	References	Qty.	Description	Notes
1	131017961		1	FUEL INJECTION PUMP	
2		Ⓢ	1	SHIM	
3	011310620		2	SCREW	
4	023100006		2	NUT	
Service Options					
2	131437590	$\frac{1}{16}$ 0.20MM	1	SHIM	
2	131437830	$\frac{1}{8}$ 0.25MM	1	SHIM	
2	131437600	$\frac{3}{16}$ 0.3MM	1	SHIM	
2	131437840	$\frac{1}{4}$ 0.35MM	1	SHIM	
2	131437610	$\frac{5}{16}$ 0.4MM	1	SHIM	
2	131437620	$\frac{3}{8}$ 0.5MM	1	SHIM	
2	131437630	$\frac{1}{2}$ 0.5MM	1	SHIM	

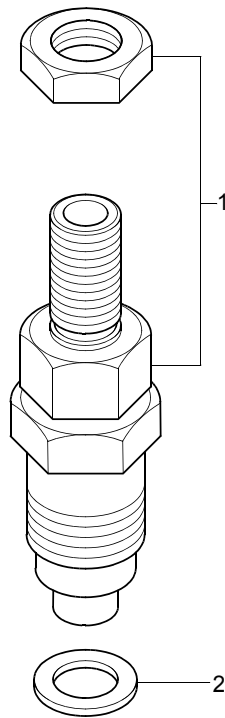
AFPG0042



AFPG0042

Item	Part No.	References	Qty.	Description	Notes
1	131507740		1	PIPE - FUEL INJ NO 1 CYL	
2	131507750		1	PIPE - FUEL INJ NO 2 CYL	
3	131507760		1	PIPE - FUEL INJ NO 3 CYL	
4	199106021		2	CLAMP	
5	199106021		2	CLAMP	
6	010110625		2	SCREW	
7	023100006		2	NUT	

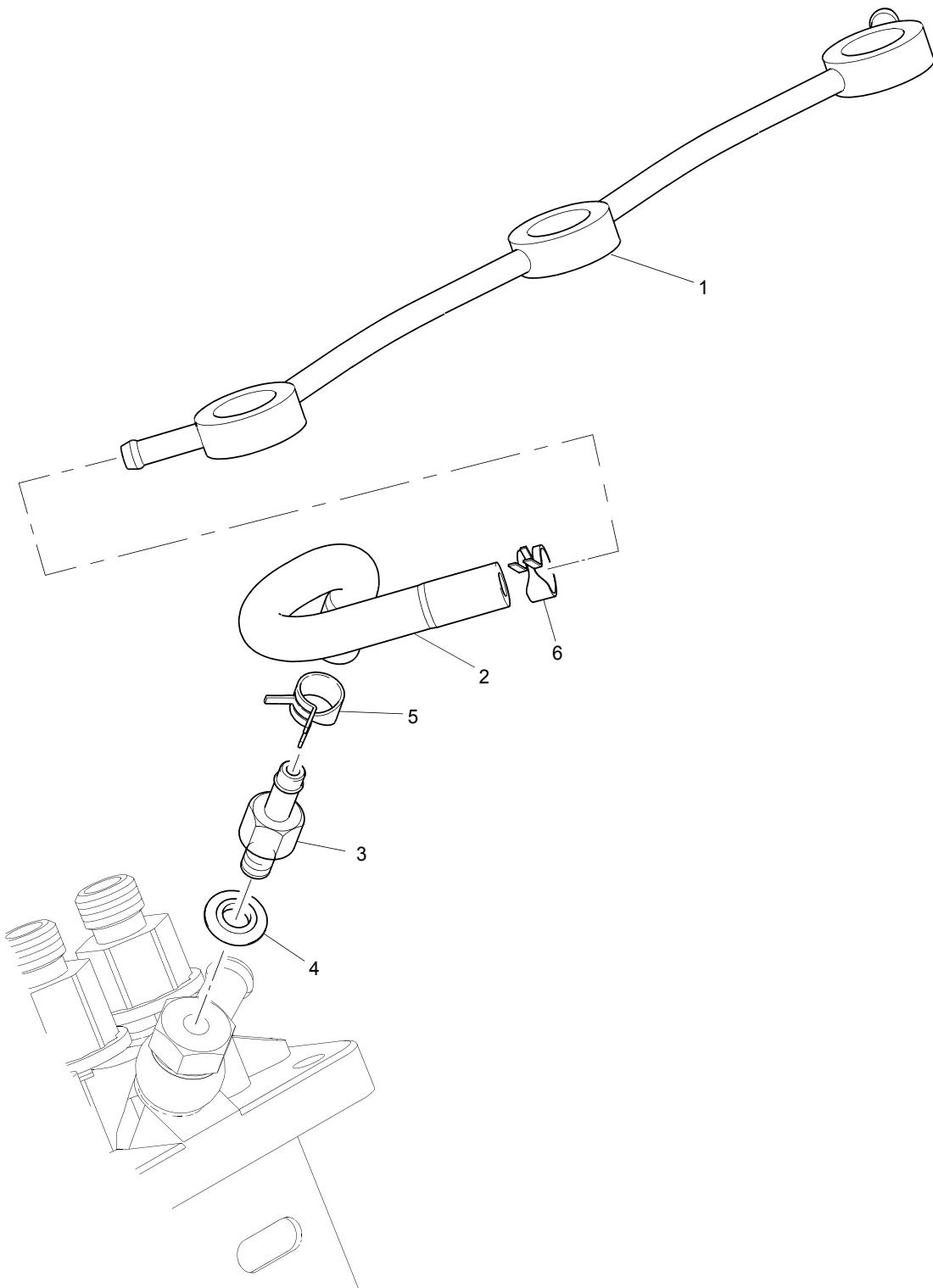
AFPG0042



Atomisers	Plate A
	AFPG0042

Item	Part No.	References	Qty.	Description	Notes
1	131406470		3	INJECTOR	
2	131426200		3	SEAL - INJECTOR	

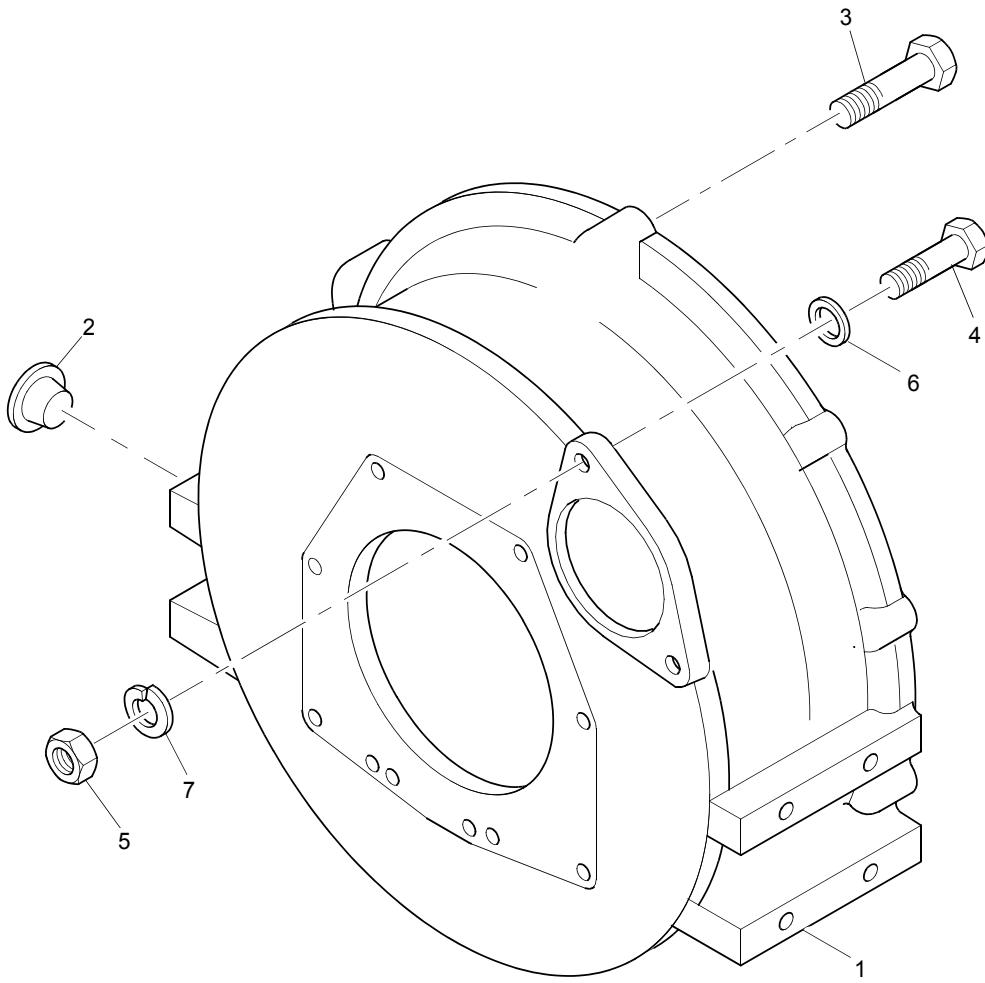
AFPG0042



AFPG0042

Item	Part No.	References	Qty.	Description	Notes
1	131606920		1	PIPE - LEAK OFF	
2	068204112		1	PIPE	
3	131246280		1	CONNECTOR	
4	025100006		1	WASHER	
5	067200078		1	CLIP	
6	067200078		1	CLIP	

CDPG0016

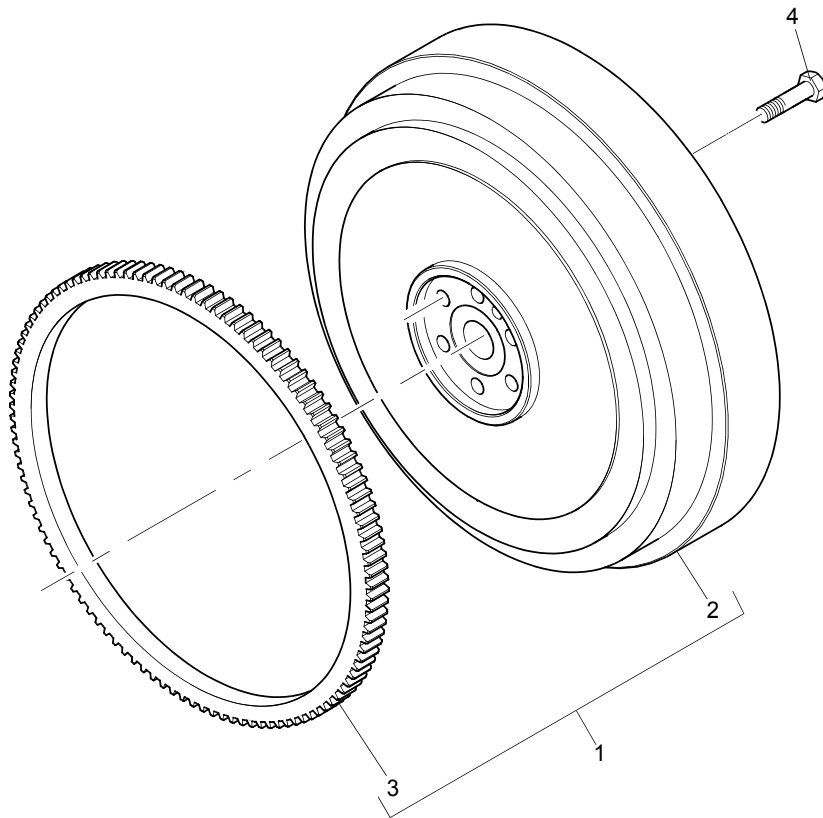


Flywheel Housing	Plate A
	CDPG0016

Item	Part No.	References	Qty.	Description	Notes
1	110446580		1	FLYWHEEL HOUSING	
2	398460091		4	PLUG	
3	010311020		8	SCREW	
4	010311045		2	BOLT	(A)
5	020900010		2	NUT	
6	026200010		2	WASHER	
7	027100010		2	WASHER	

Footnotes	
(A)	STARTER MOTOR

DDPG0017



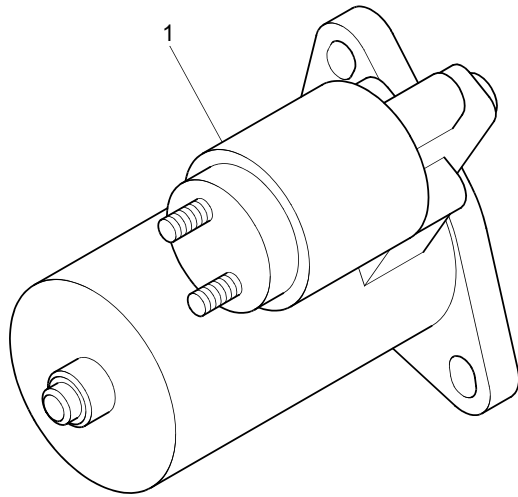
Flywheel & Starter Ring

Plate A

DDPG0017

Item	Part No.	References	Qty.	Description	Notes
1	115356910		1	FLYWHEEL ASSEMBLY	HEAVY
2	└	⇒ 115356910	1	FLYWHEEL	
3	└ 115376130		1	STARTER RING	
4	010109340		6	SCREW	

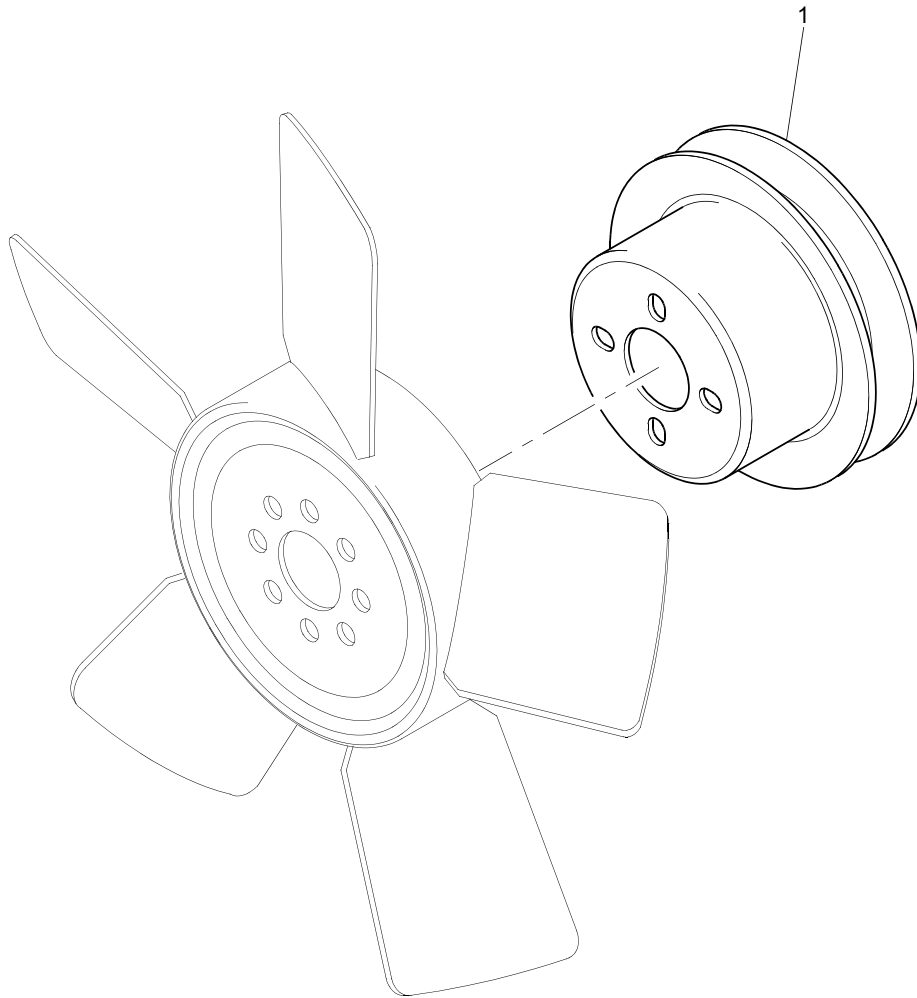
EDPG0006



Starter Motor		Plate A
		EDPG0006

Item	Part No.	References	Qty.	Description	Notes
1	185086610		1	STARTER MOTOR	1.1 KW

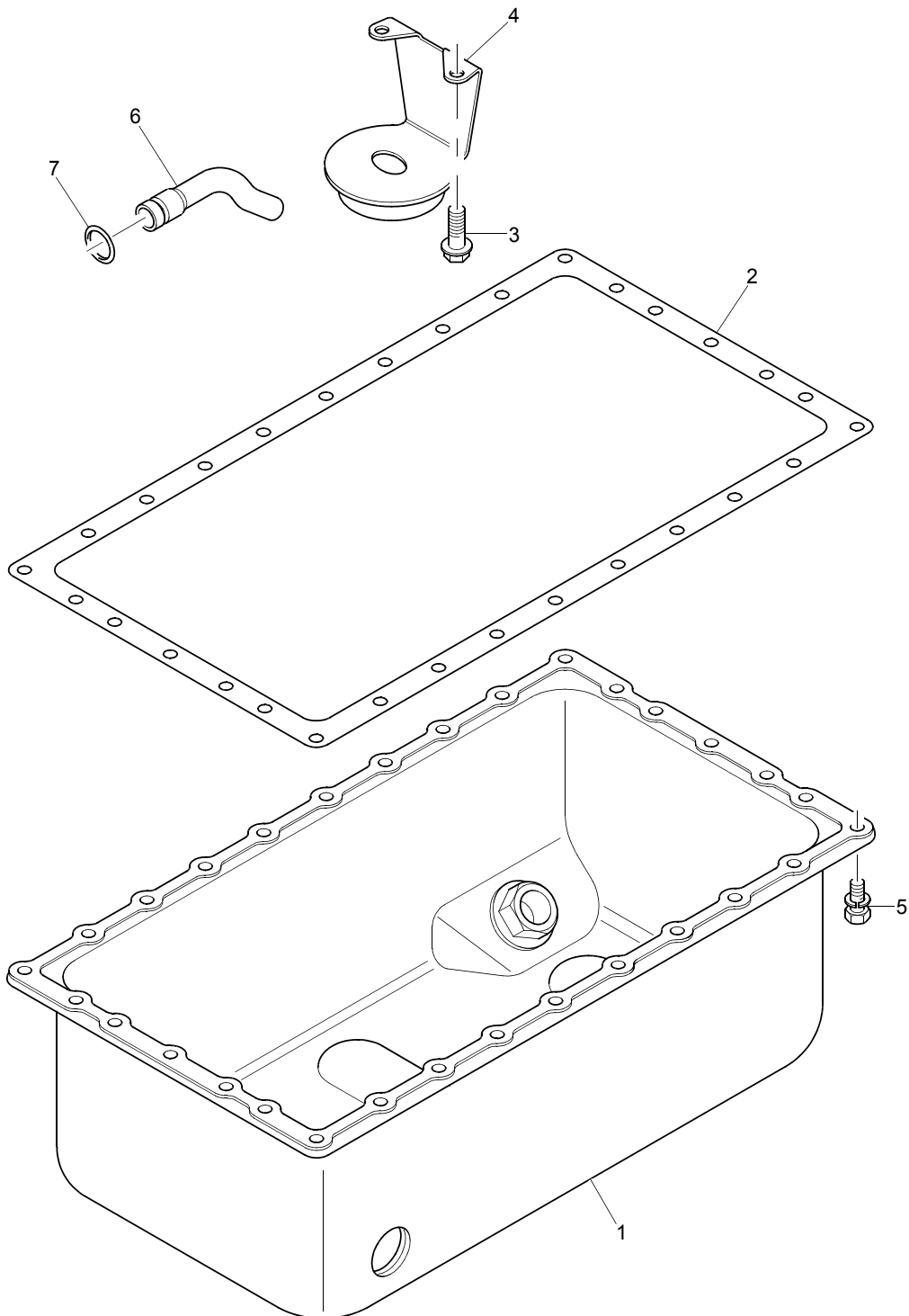
FBPG0012



Pulleys	Plate A
	FBPG0012

Item	Part No.	References	Qty.	Description	Notes
1	145336490		1	WATER PUMP PULLEY	

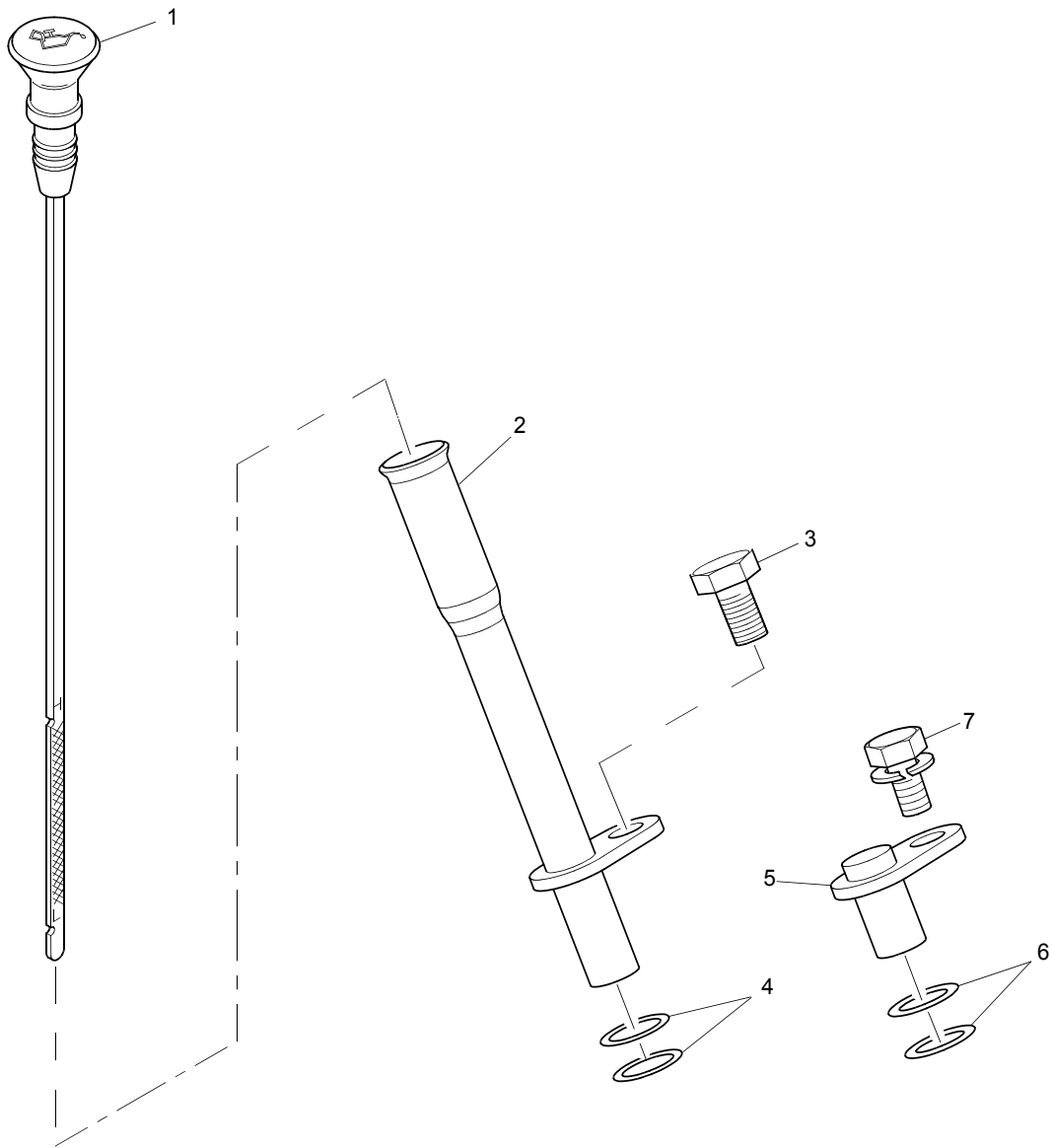
GBPG0025



GBPG0025

Item	Part No.	References	Qty.	Description	Notes
1	110708510		1	SUMP	
2	110996900		1	GASKET - SUMP	
3	010109235		20	SCREW	
4	140406500		1	STRAINER	
5	011310612		2	SCREW	
6	140986830		1	OIL PIPE	
7	052109076		1	SEAL - O RING	

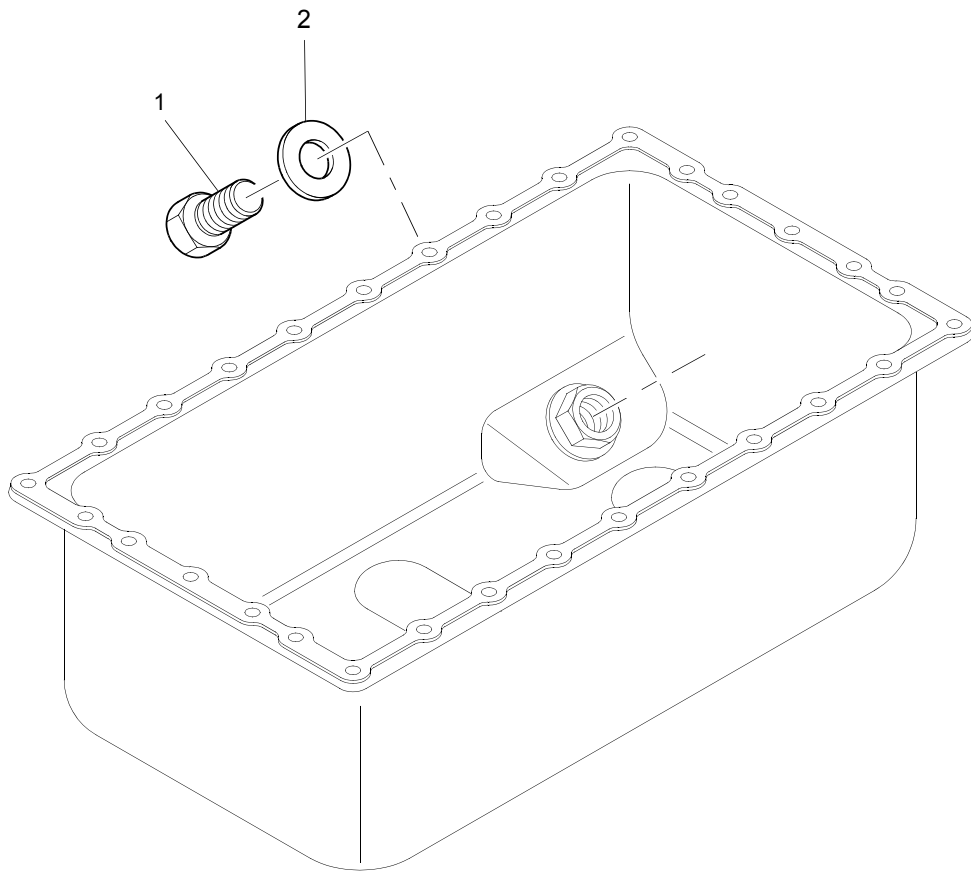
GBPG0025



Dipstick & Tube	Plate A
	GBPG0025

Item	Part No.	References	Qty.	Description	Notes
1	198416820		1	DIPSTICK	
2	110756490		1	DIPSTICK TUBE	
3	010109235		1	SCREW	
4	052100100		2	SEAL - O RING	
5	198436290		1	PLUG	
6	052100100		2	SEAL - O RING	
7	011310612		1	SCREW	

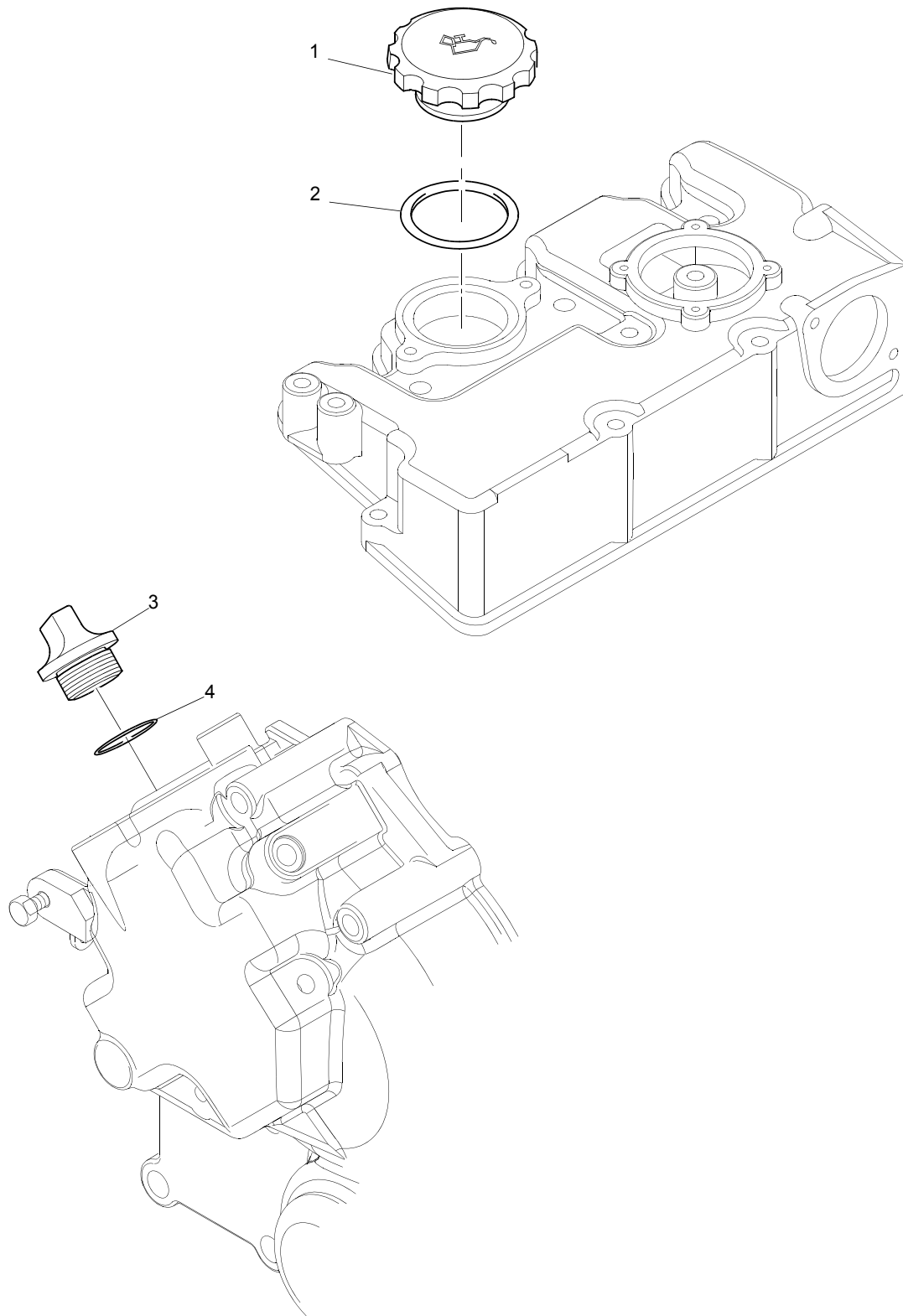
GCPG0000



Sump	Plate A
	GCPG0000

Item	Part No.	References	Qty.	Description	Notes
1	010109238		2	SCREW	
2	025100016		2	WASHER	

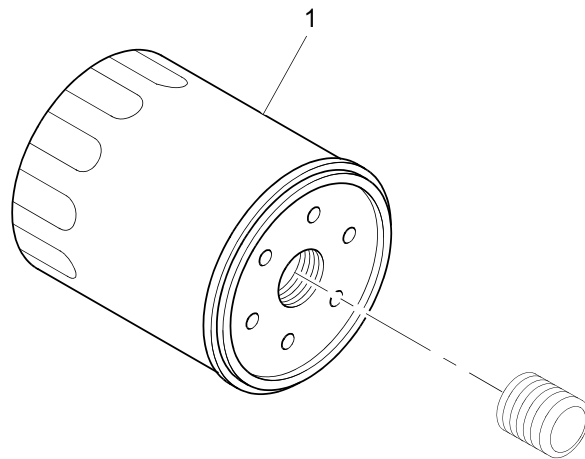
HBPG0010



Filler	Plate A
	HBPG0010

Item	Part No.	References	Qty.	Description	Notes
1	198436350		1	OIL FILLER CAP	
2	052100400		1	SEAL - O RING	
3	398430080		1	OIL FILLER CAP	
4	052100280		1	SEAL - O RING	

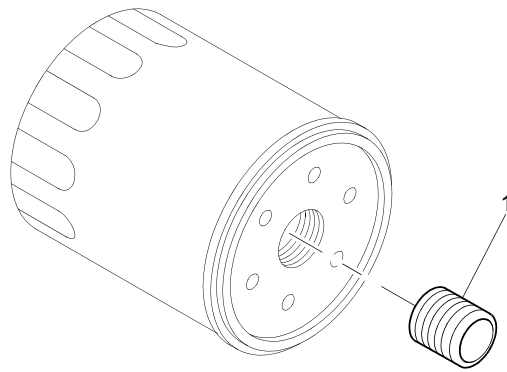
JBPG0000



Oil Filter	Plate A
	JBPG0000

Item	Part No.	References	Qty.	Description	Notes
1	140517050		1	OIL FILTER	

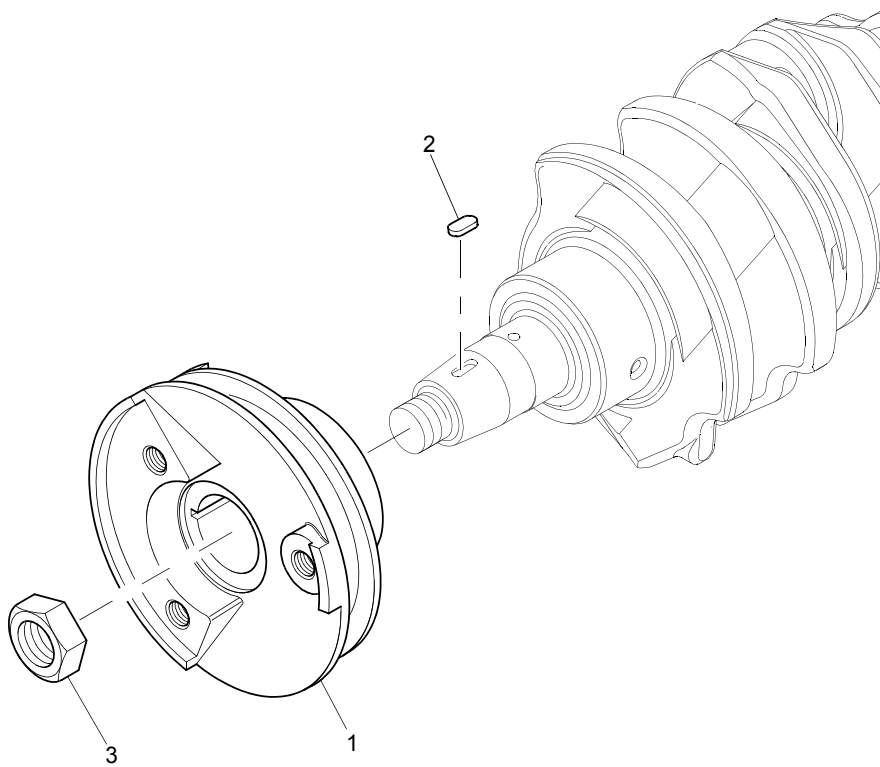
JCPG0000



Oil Filter	Plate A
	JCPG0000

Item	Part No.	References	Qty.	Description	Notes
1	140546020		1	CONNECTION	

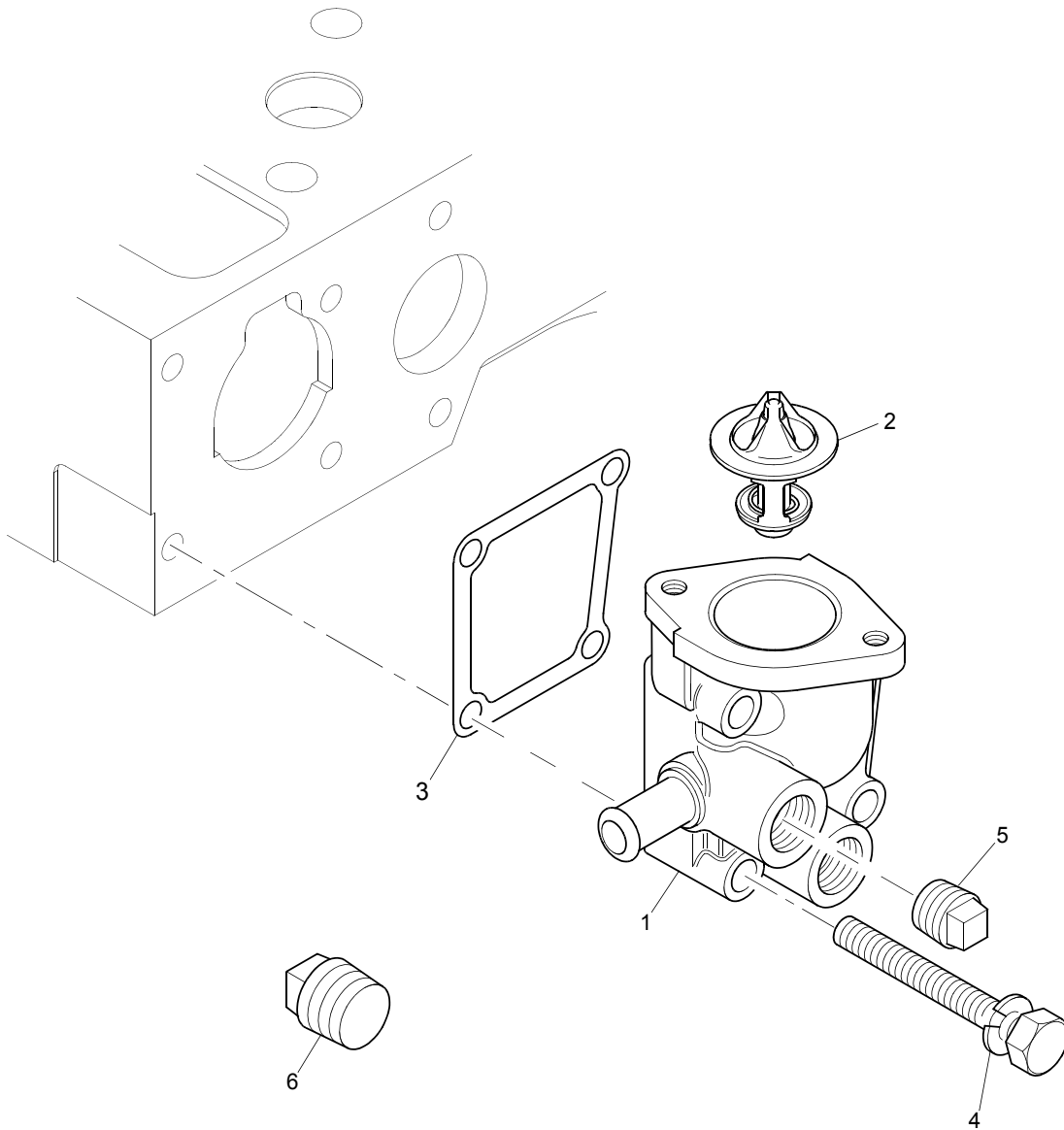
KBPG0007



Front End Drive Input**Plate A****KBPG0007**

Item	Part No.	References	Qty.	Description	Notes
1	115397310		1	CRANKSHAFT PULLEY	
2	034100508		1	WOODRUFF KEY	
3	020800018		1	NUT	

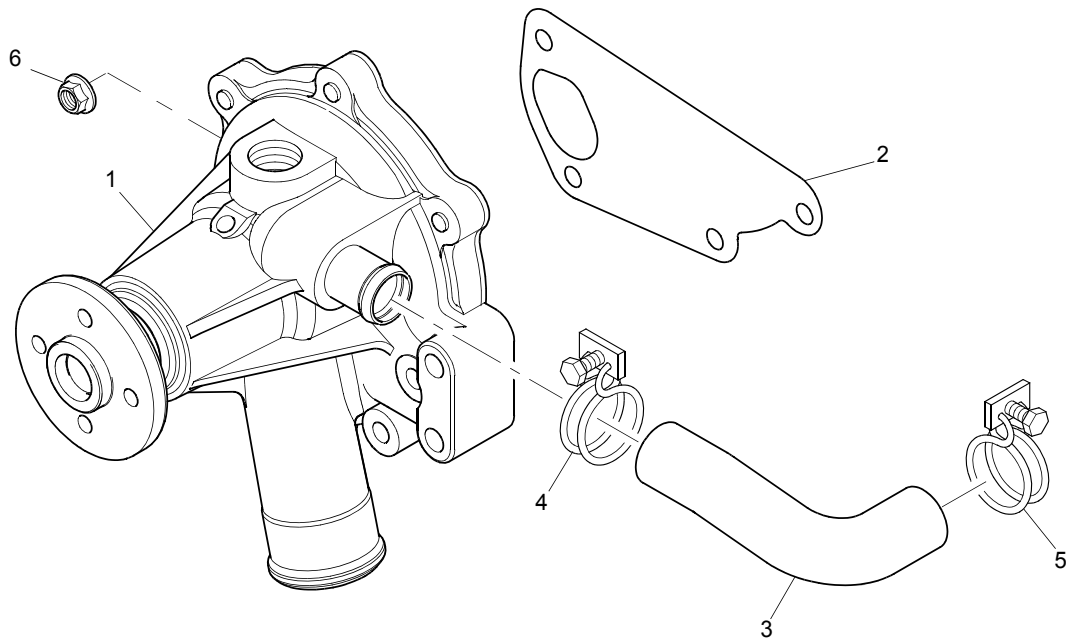
LBPG0009



LBPG0009

Item	Part No.	References	Qty.	Description	Notes
1	145216540		1	THERMOSTAT HOUSING	
2	145206062		1	THERMOSTAT	
3	145996840		1	GASKET - THERMOSTAT HSG	
4	011310660		4	SCREW	
5	064500030		2	PLUG	
6	064500060		1	PLUG	

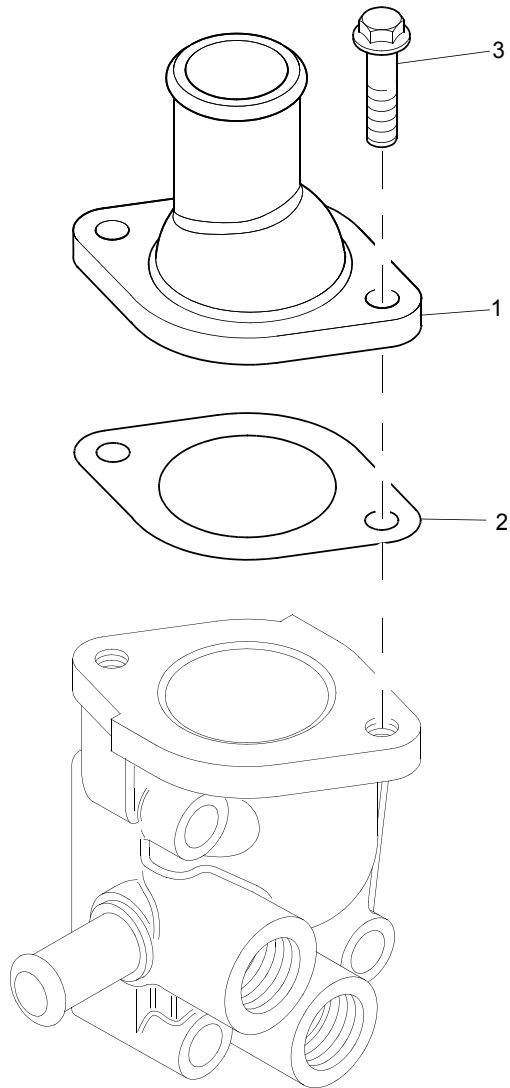
LBPG0009



Water Pump	Plate A
	LBPG0009

Item	Part No.	References	Qty.	Description	Notes
1	145010061		1	WATER PUMP	
2	145996830		1	GASKET - WATER PUMP	
3	145536051		1	HOSE	
4	067100022		1	CLIP	
5	067100022		1	CLIP	
6	023100006		1	NUT	

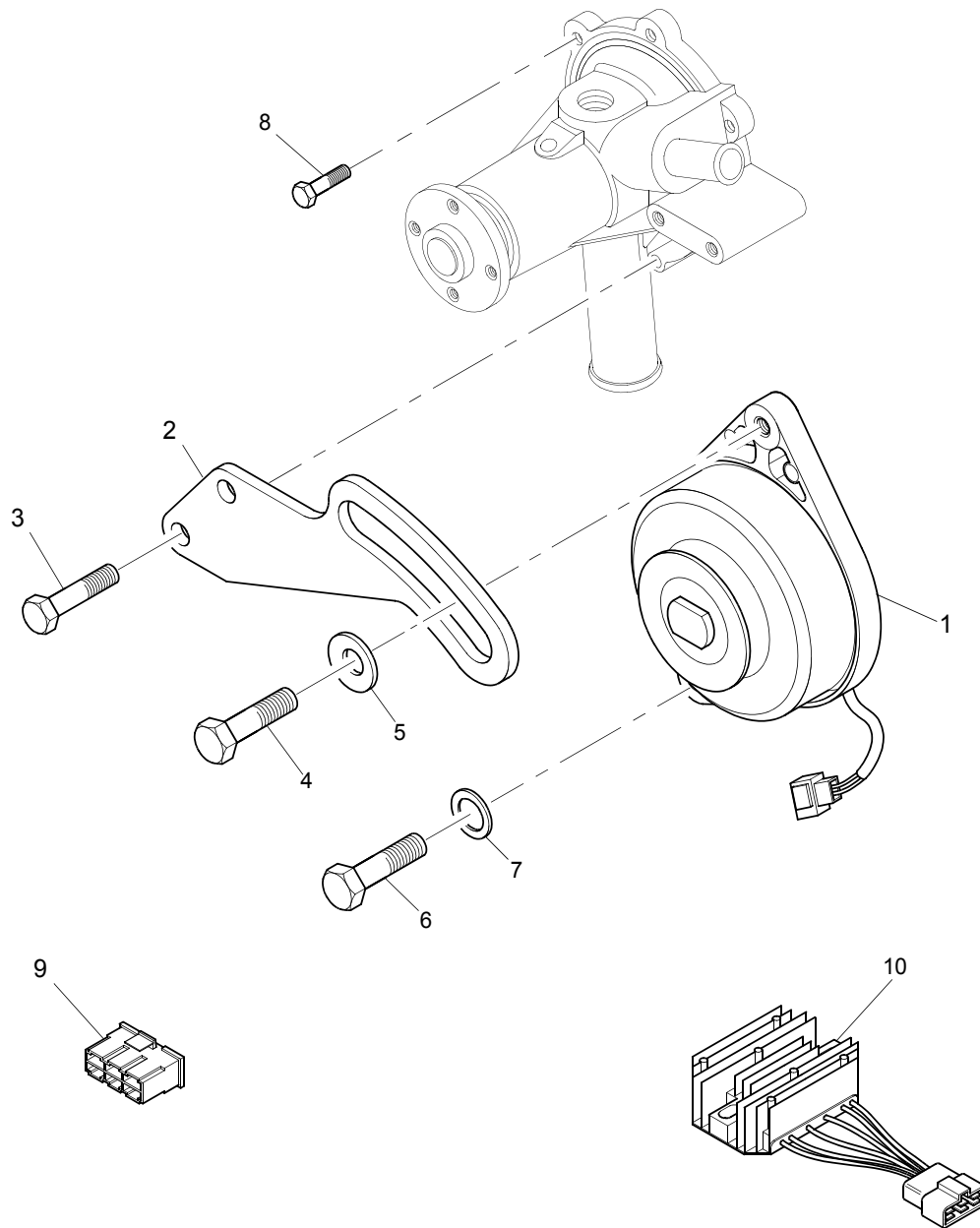
LDPG0008



Water Pump	Plate A
	LDPG0008

Item	Part No.	References	Qty.	Description	Notes
1	145226470		1	THERMOSTAT HOUSING	
2	145996850		1	GASKET - THERMOSTAT HSG	
3	011310620		2	SCREW	

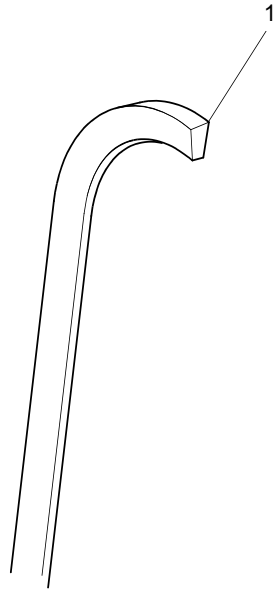
NDPG0027



Alternator	Plate A
	NDPG0027

Item	Part No.	References	Qty.	Description	Notes
1	185046160		1	ALTERNATOR	
2	185726670		1	LEVER	
3	011310640		2	SCREW	
4	011510830		1	SCREW	
5	026109017		1	WASHER	
6	011511035		1	SCREW	
7	026100010		1	WASHER	
8	011310635		1	SCREW	
9	385620320		1	TERMINAL	
10	185516061		1	REGULATOR	

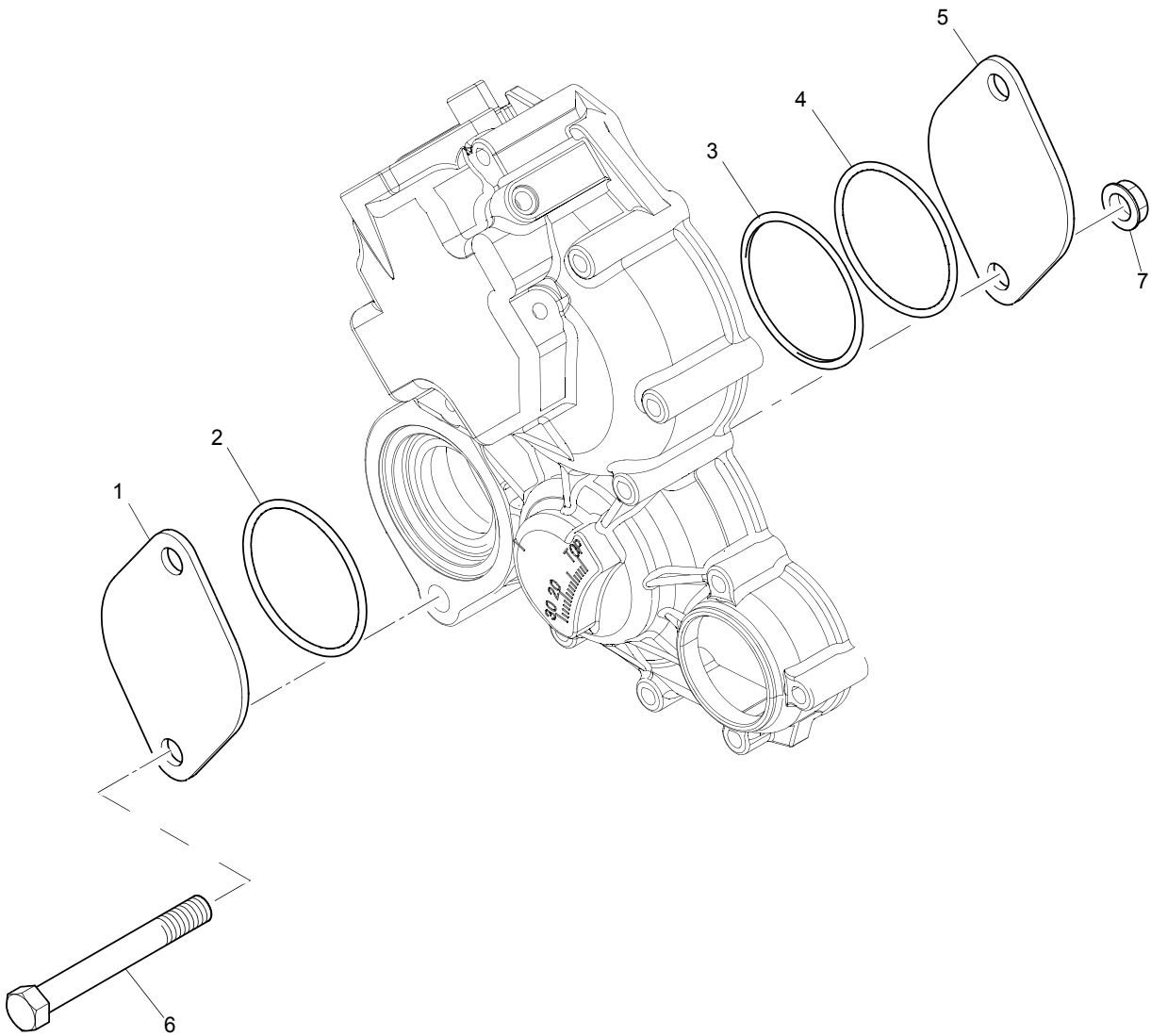
NEPG0013



Drive Belt & Tensioner		Plate A
		NEPG0013

Item	Part No.	References	Qty.	Description	Notes
1	080109049		1	BELT	

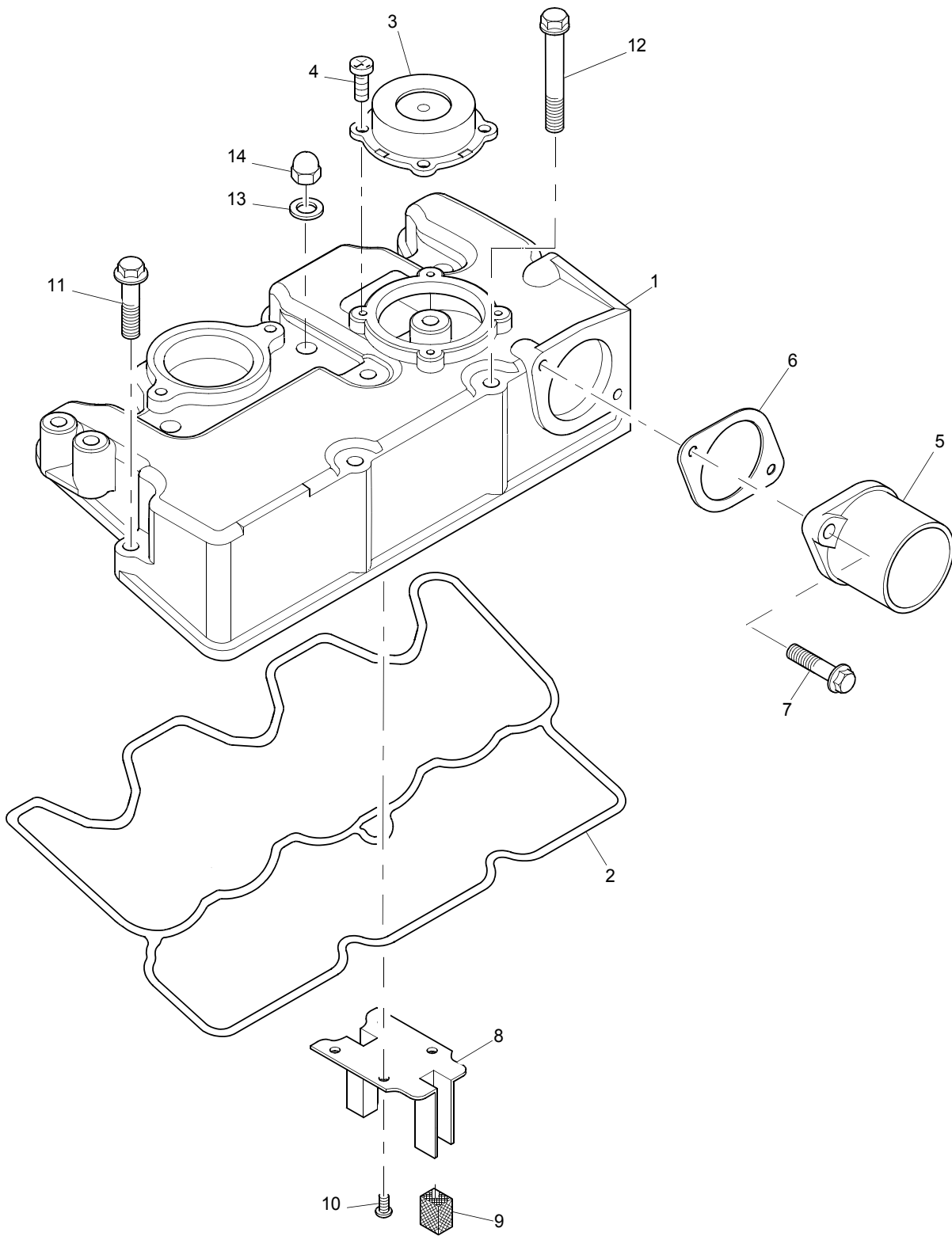
QCPG0010



Blanking Plates**Plate A****QCPG0010**

Item	Part No.	References	Qty.	Description	Notes
1	165206780		1	PLATE	
2	052300550		1	SEAL - O RING	
3	052300600		1	SEAL - O RING	
4	052300550		1	SEAL - O RING	
5	165206780		1	PLATE	
6	010311085		2	BOLT	
7	023100010		2	NUT	

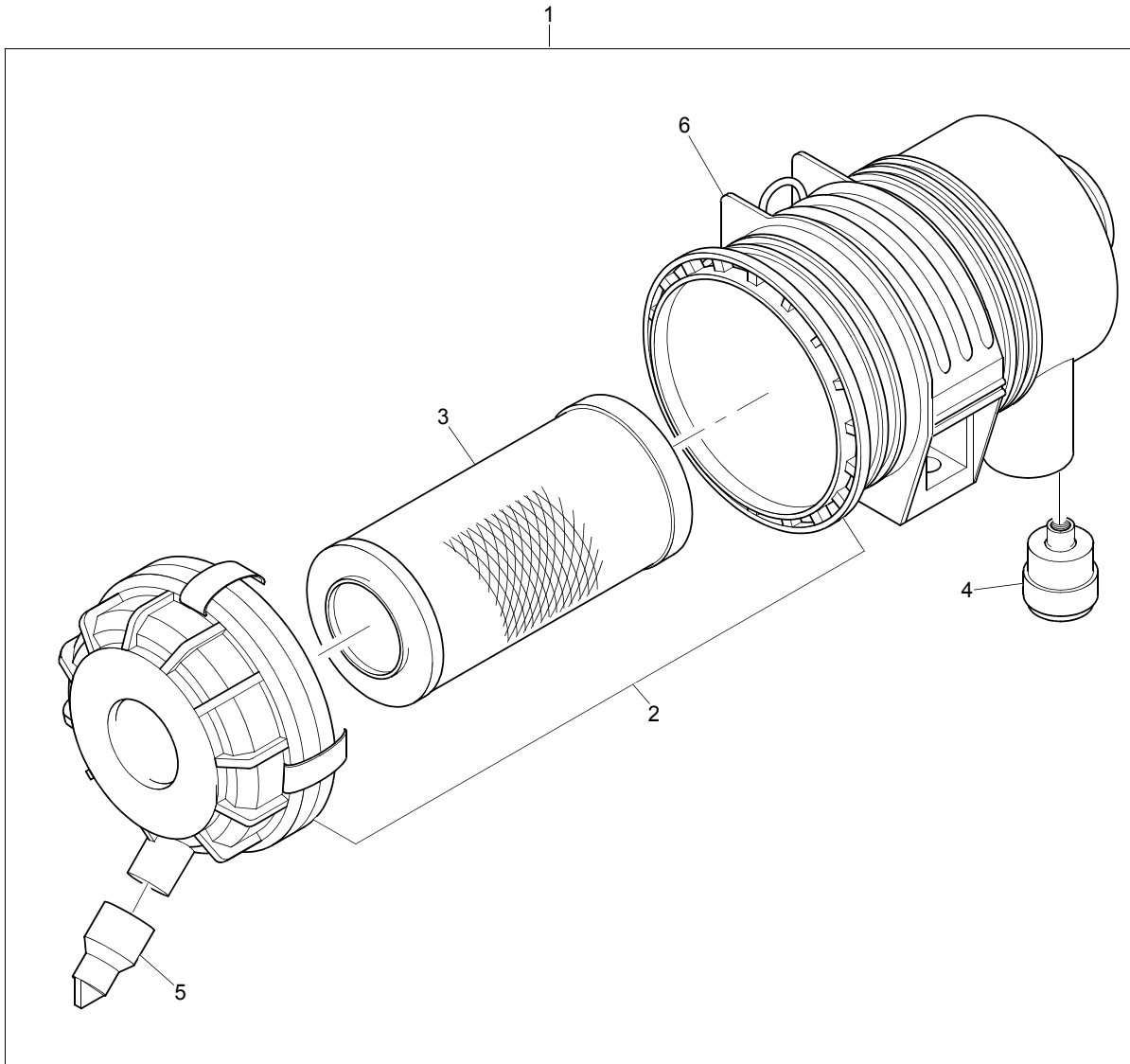
TBPG0010



Cylinder Head Cover**Plate A****TBPG0010**

Item	Part No.	References	Qty.	Description	Notes
1	111217490		1	CYLINDER HEAD COVER	
2	111996420		1	SEAL - CYL HEAD COVER	
3	110566080		1	BREATHER VALVE	
4	011100408		4	METRIC BOLT	
5	135566480		1	PIPE - AIR	
6	135996750		1	GASKET	
7	011310620		2	SCREW	
8	110666220		1	RETAINING PLATE	
9	110666060		1	GAUZE	
10	015600406		6	SCREW	
11	011310625		2	SCREW	
12	011310680		3	SCREW	
13	024600008		3	NUT	
14	140996260		3	WASHER	

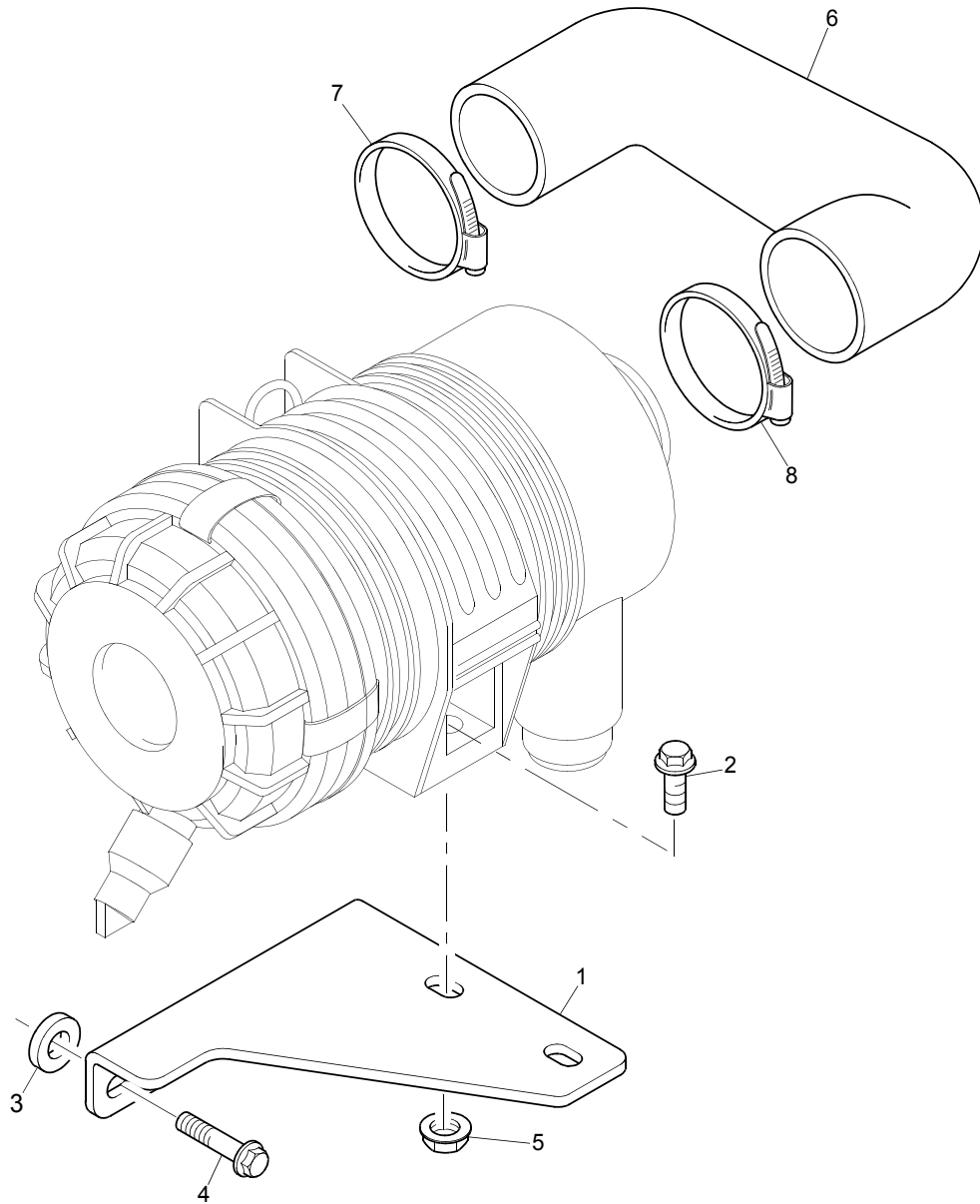
TDPG0011



TDPG0011

Item	Part No.	References	Qty.	Description	Notes
1	135016340		1	AIR FILTER ASSEMBLY	
2		⇒ 135016340	1	BODY	
3	—135326205		1	MAIN AIR FILTER	
4	—26510402		1	INDICATOR	
5	—26510194		1	VALVE	
6	26510417		1	BRACKET	

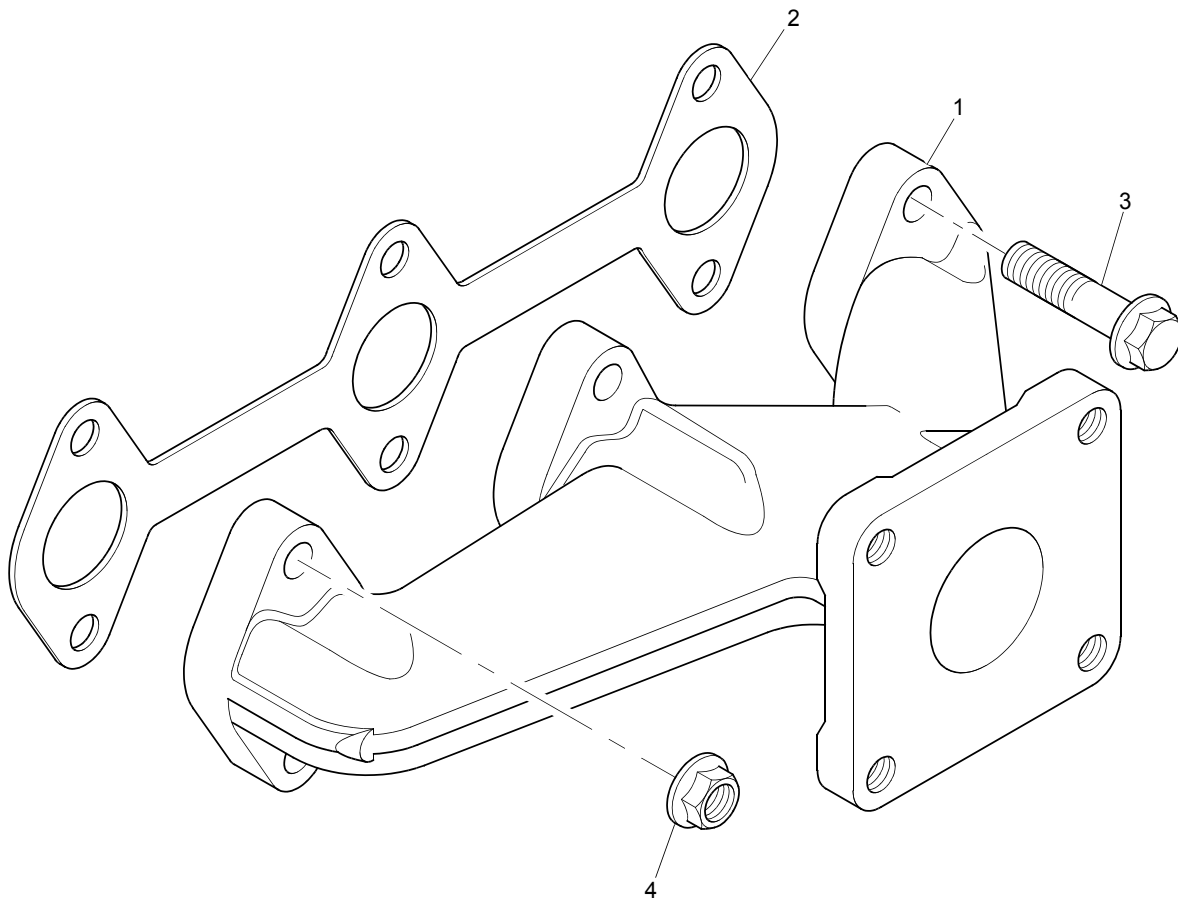
TDPG0011



TDPG0011

Item	Part No.	References	Qty.	Description	Notes
1	135976630		1	SUPPORT BRACKET	
2	2314H003		2	SCREW	
3	199216340		1	SPACER	
4	2314H005		2	SCREW	
5	023100008		2	NUT	
6	TPN667		1	HOSE	
7	21825194		1	CLIP	
8	21825194		1	CLIP	

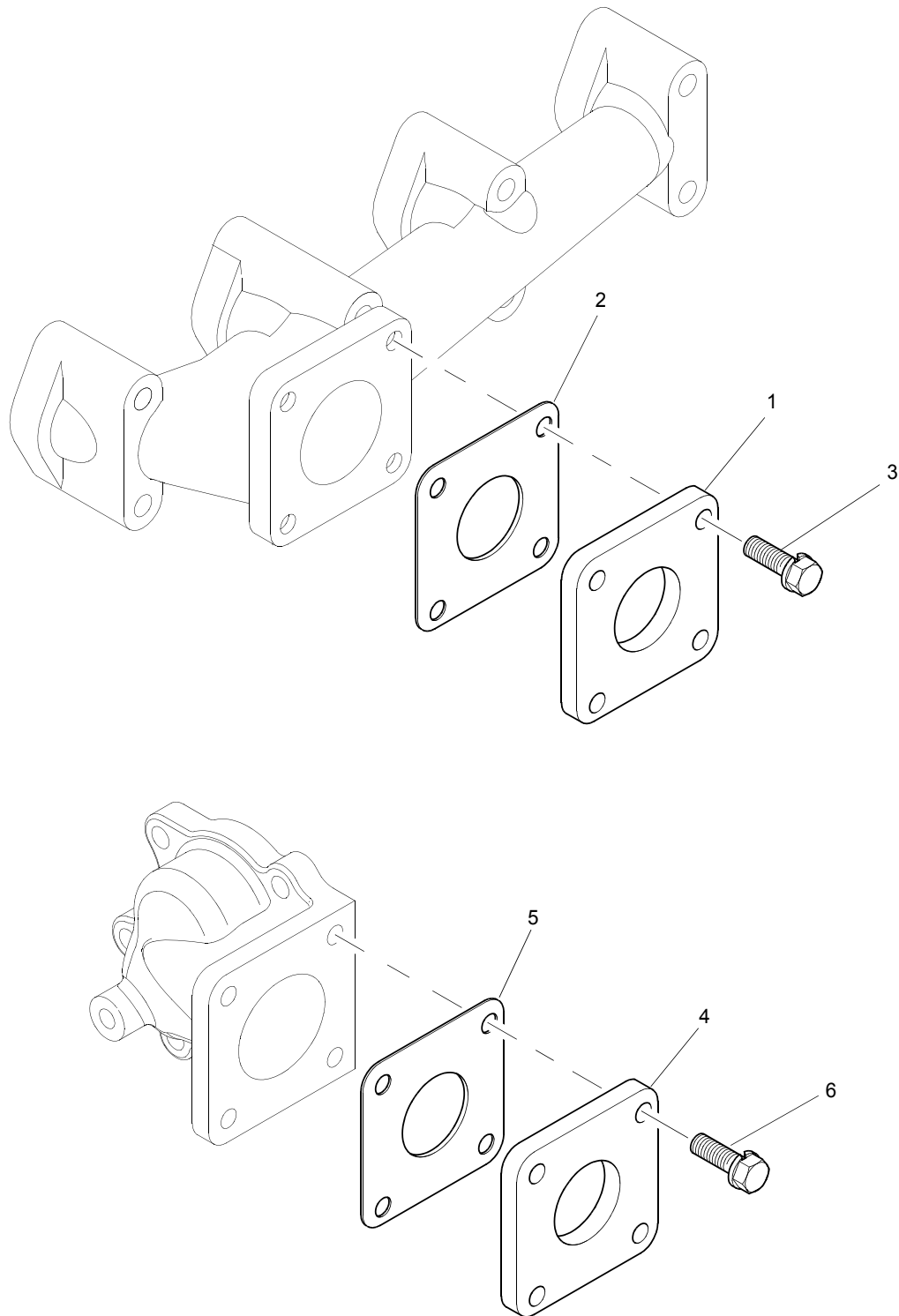
UBPG0010



Exhaust Manifold	Plate A
	UBPG0010

Item	Part No.	References	Qty.	Description	Notes
1	135616311		1	EXHAUST MANIFOLD	
2	135996541		1	GASKET - EXHAUST MANIFOLD	
3	011310625		4	SCREW	
4	023100006		2	NUT	

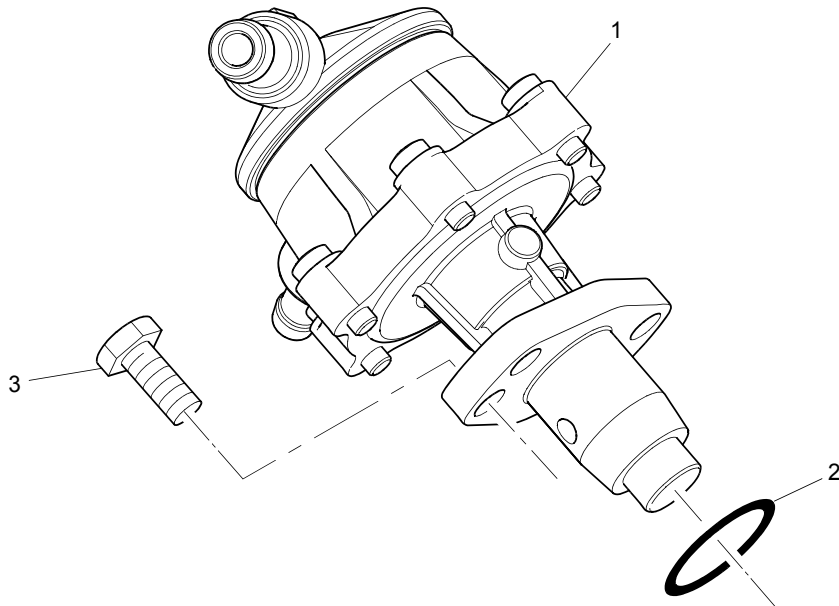
UDPG0001



UDPG0001

Item	Part No.	References	Qty.	Description	Notes
1	314120070		1	FLANGE	
2	314990013		1	GASKET - EXHAUST	
3	011510825		4	SCREW	
4	314120070		1	FLANGE	
5	314990013		1	GASKET - EXHAUST	
6	011510825		4	SCREW	

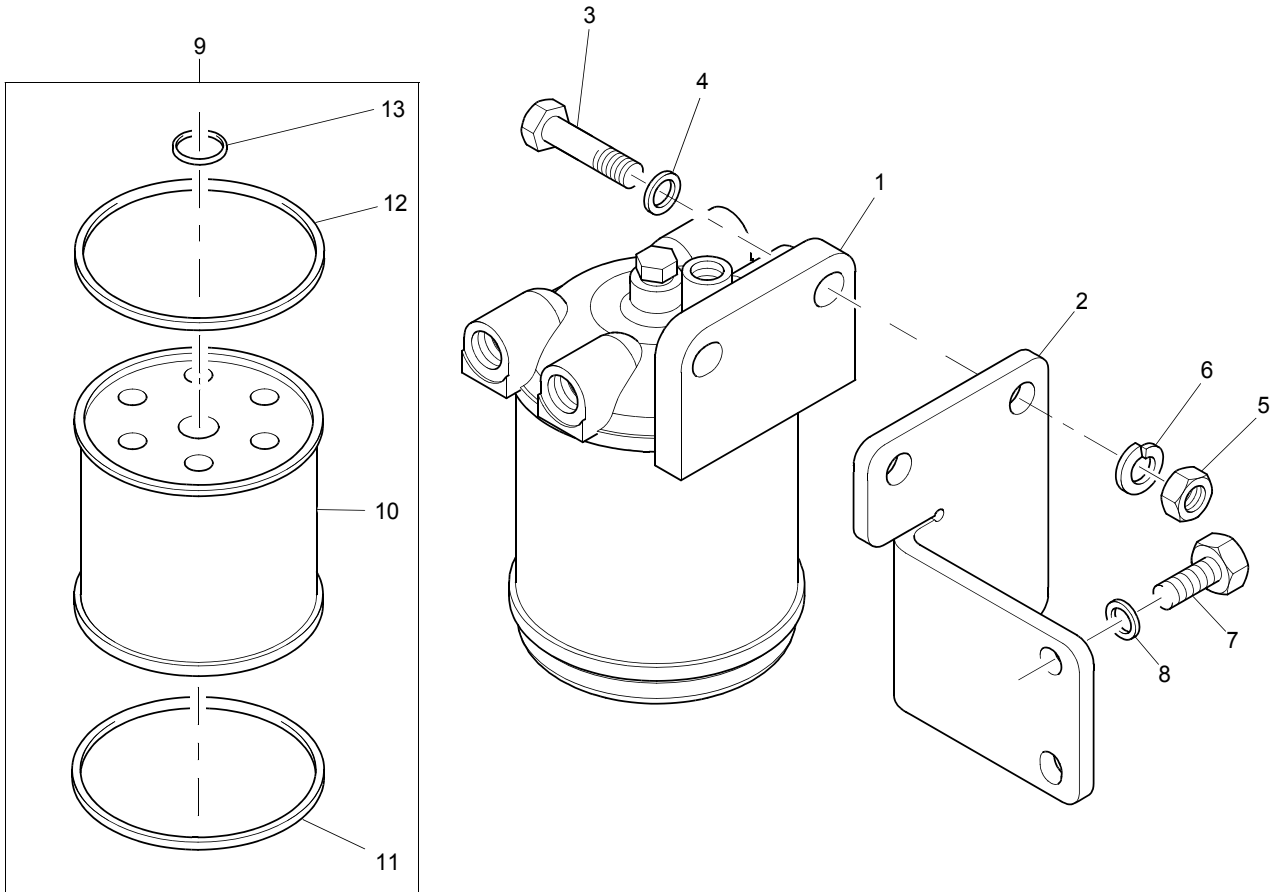
VBPG0021



Lift Pump	Plate A
	VBPG0021

Item	Part No.	References	Qty.	Description	Notes
1	130506351		1	LIFT PUMP	
2	2415A070		1	SEAL - O RING	
3	2314F003		2	SCREW	

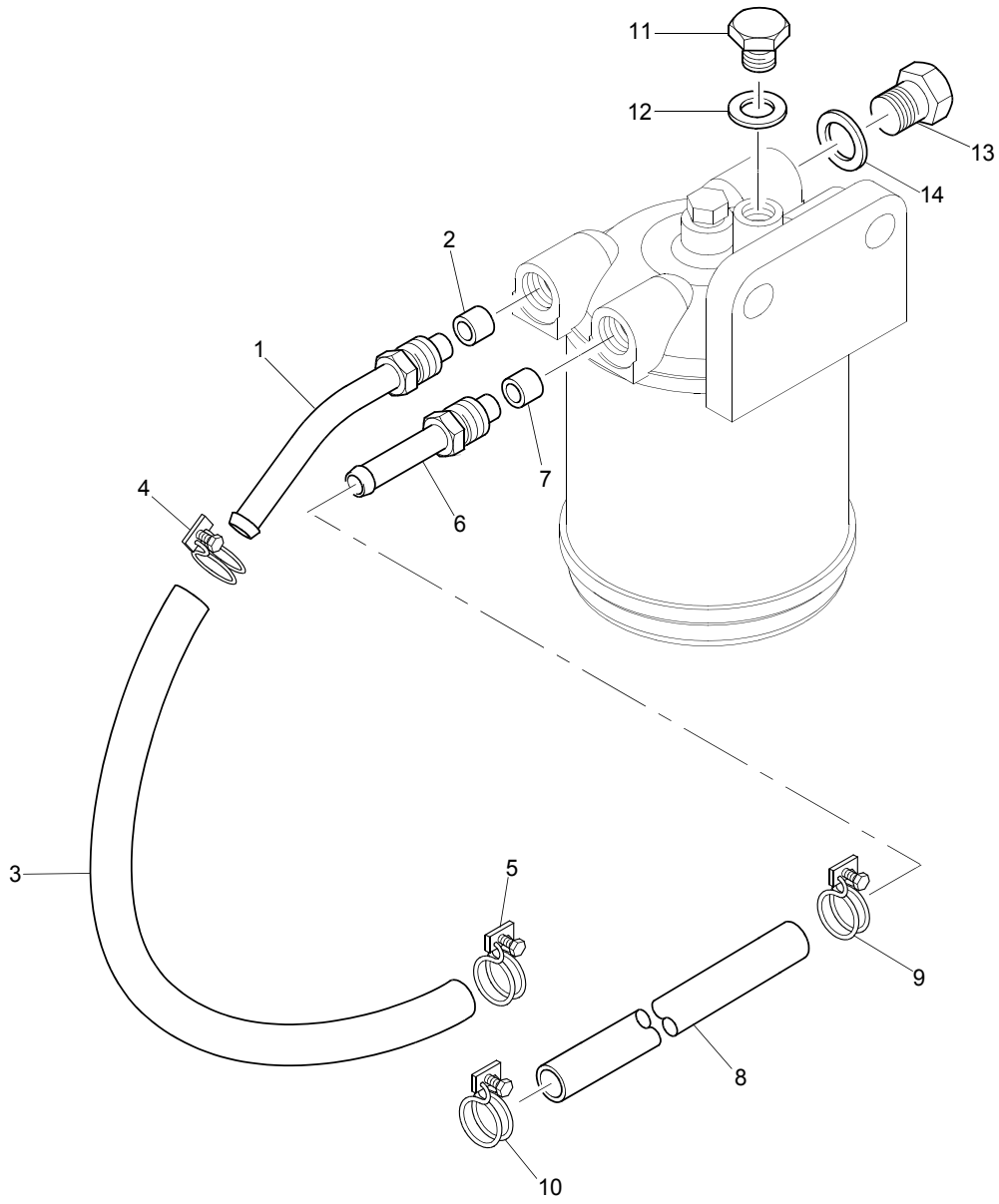
VBPG0021



Fuel Filter	Plate A
	VBPG0021

Item	Part No.	References	Qty.	Description	Notes
1	2656613		1	FUEL FILTER ASSEMBLY	
2	130976670		1	BRACKET	
3	010111030		2	BOLT	
4	026200010		2	WASHER	
5	020900010		2	NUT	
6	027100010		2	WASHER	
7	011510820		2	SCREW	
8	026100008		2	WASHER	
9	26561117		1	FUEL FILTER KIT	
10		⇒ 26561117	1	ELEMENT	
11	—0490786		1	SEAL	
12	—0490786		1	SEAL	
13	—26560014		1	SEAL - O RING	

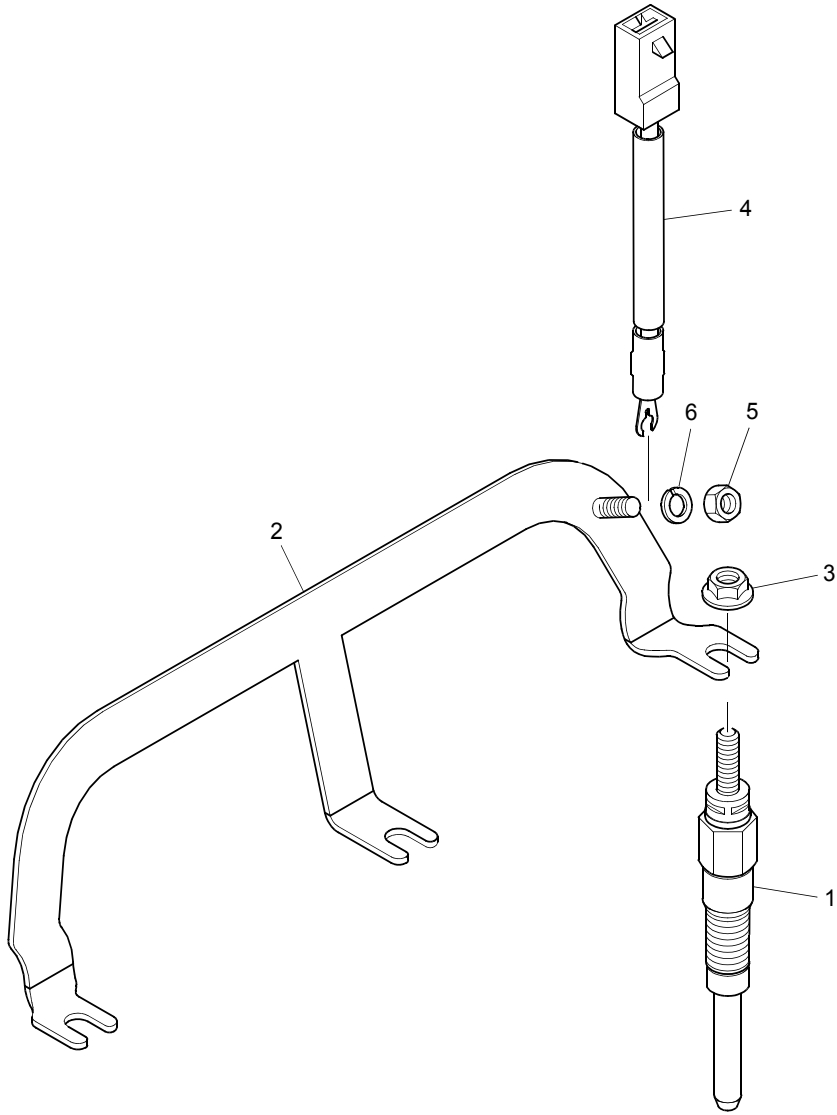
VBPG0021



VBPG0021

Item	Part No.	References	Qty.	Description	Notes
1	131246270		1	FUEL PIPE	
2	33811114		1	OLIVE	
3	068209166		1	HOSE	
4	067100015		1	CLIP	
5	067100015		1	CLIP	
6	131246290		1	PIPE - LOW PRESSURE FUEL	
7	33811114		1	OLIVE	
8	068209104		1	HOSE	
9	067100015		1	CLIP	
10	067100015		1	CLIP	
11	32184226		1	PLUG	
12	0920146		1	WASHER	
13	0650204		2	PLUG	
14	0920154		2	WASHER	

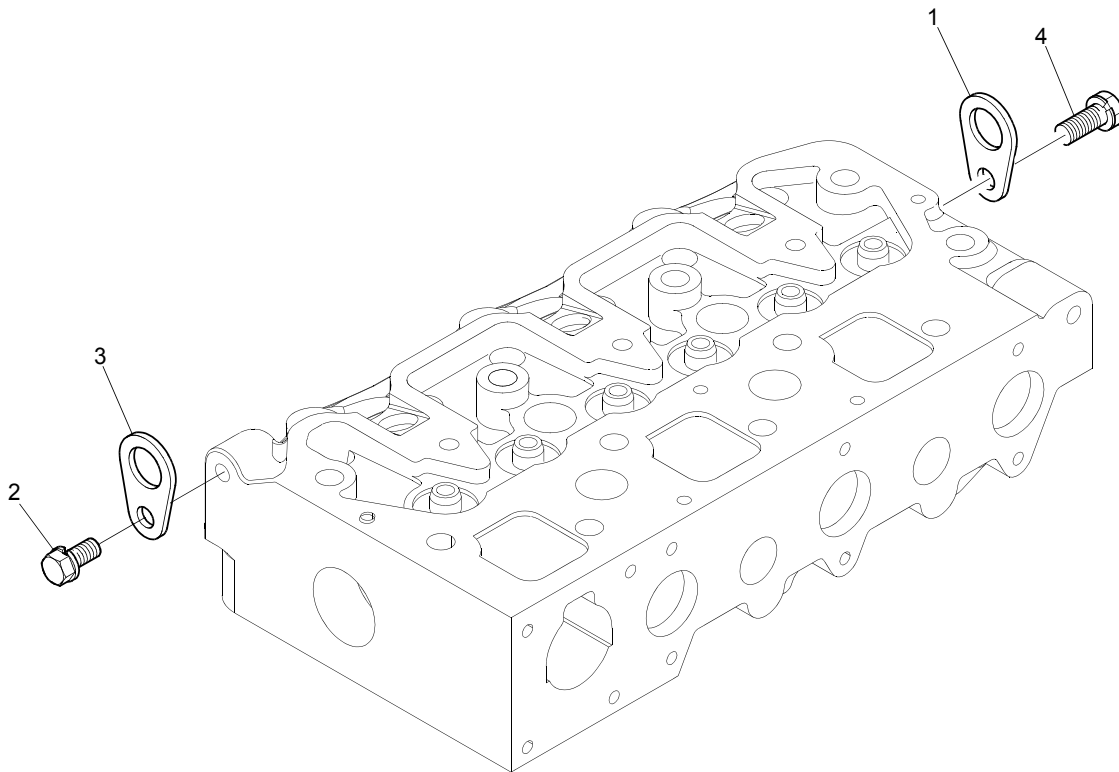
WDPG0005



WDPG0005

Item	Part No.	References	Qty.	Description	Notes
1	185366250		3	GLOWPLUG	
2	185376362		1	CONNECTOR	
3	023100004		3	NUT	
4	185606170		1	CABLE	
5	020100004		1	NUT	
6	027100004		1	WASHER	

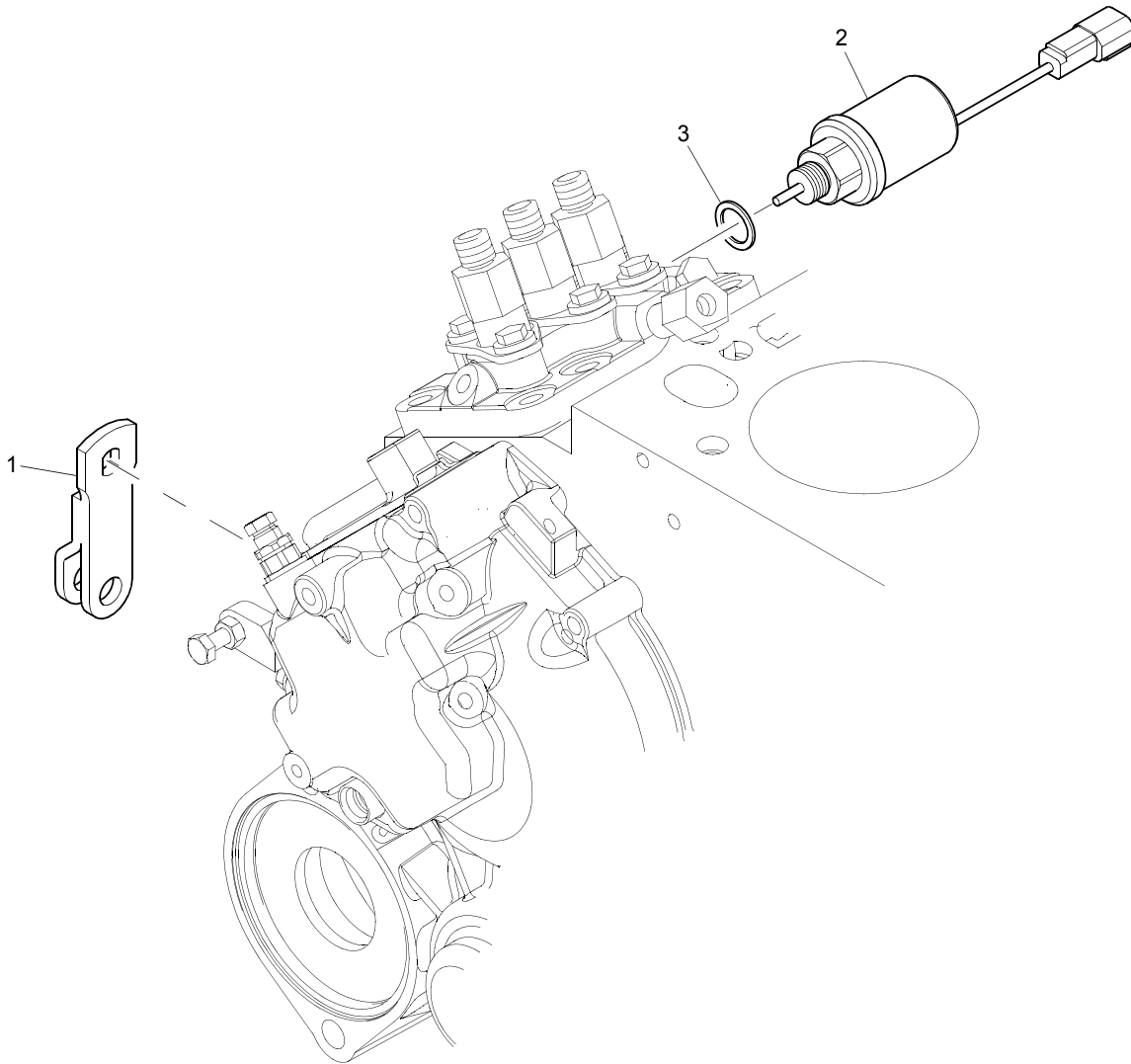
XBPG0006



Engine Lifting Eyes**Plate A****XBPG0006**

Item	Part No.	References	Qty.	Description	Notes
1	195816540		1	LIFTING EYE	
2	011510816		1	SCREW	
3	195816540		1	LIFTING EYE	
4	011510816		1	SCREW	

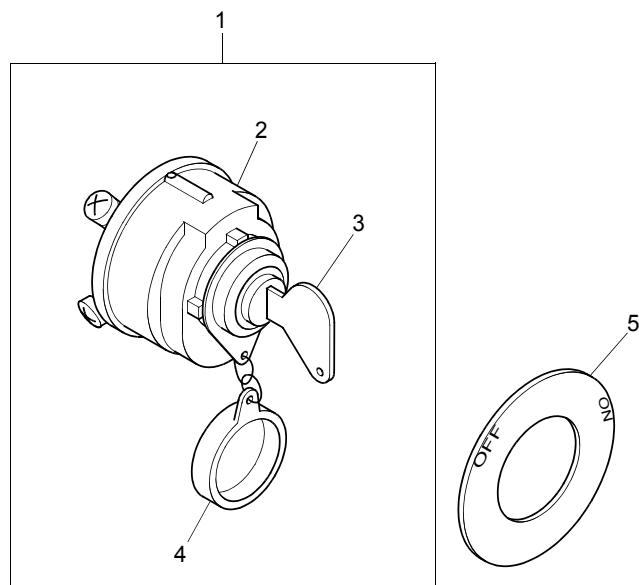
ZAPG0019



Throttle & Stop Controls**Plate A****ZAPG0019**

Item	Part No.	References	Qty.	Description	Notes
1	125416440		1	CONTROL LEVER	
2	185206450		1	SOLENOID	
3	025100016		1	WASHER	

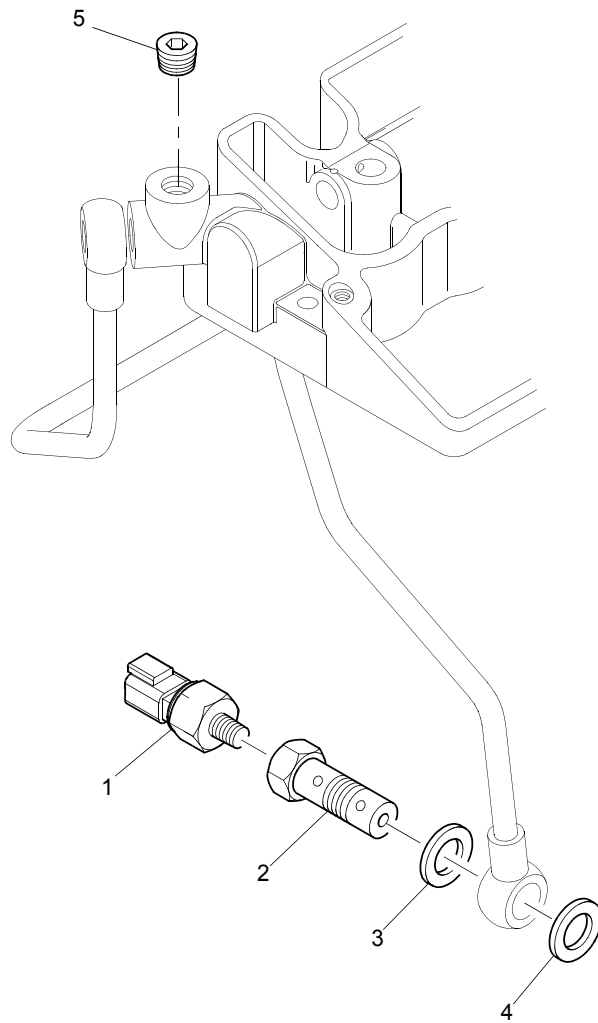
ZEPG0001



Heater/Starter Switch	Plate A
	ZEPG0001

Item	Part No.	References	Qty.	Description	Notes
1	385201161		1	SWITCH	
2		⇒ 385201161	1	IGNITION SWITCH	
3	385210061		1	KEY	
4	385800010		1	CAP	
5	390190030		1	PLATE	

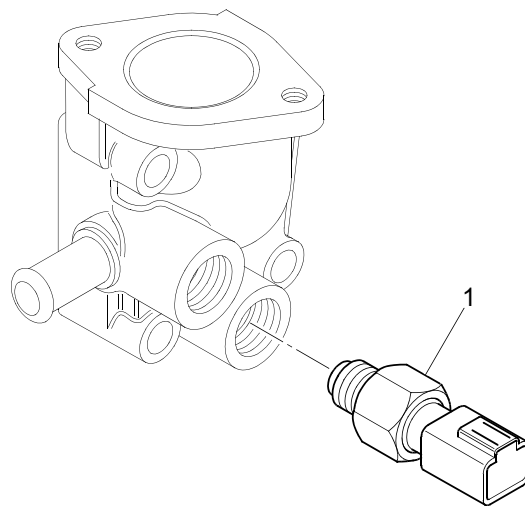
ZJPG0011



Instrumentation	Plate A
	ZJPG0011

Item	Part No.	References	Qty.	Description	Notes
1	185246280		1	OIL PRESSURE SWITCH	
2	198486871		1	BANJO BOLT	
3	140996260		1	WASHER	
4	140996260		1	WASHER	
5	064400010		1	PLUG	

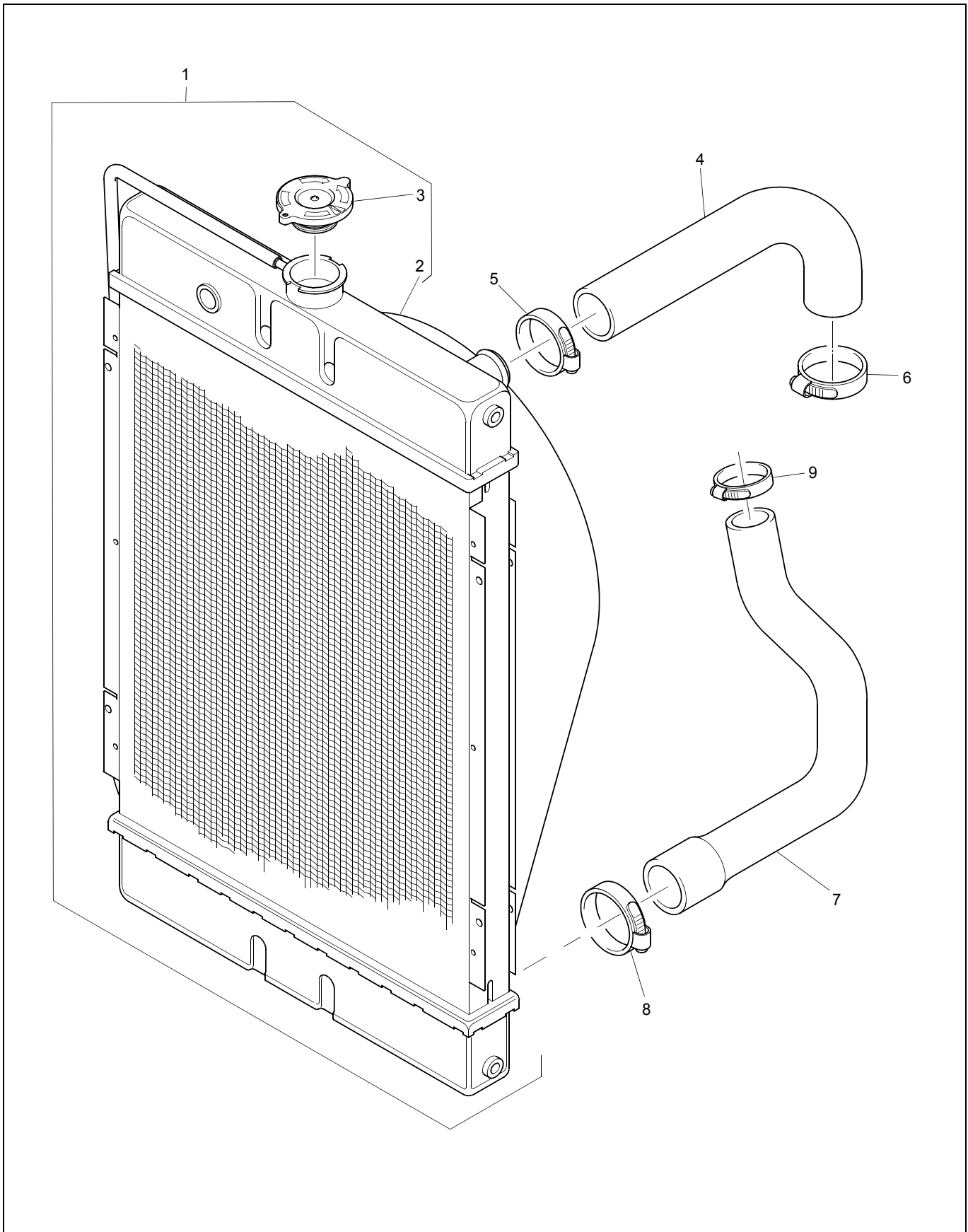
ZLPG0008



Instrumentation	Plate A
	ZLPG0008

Item	Part No.	References	Qty.	Description	Notes
1	385720510		1	WATER TEMPERATURE SWITCH	

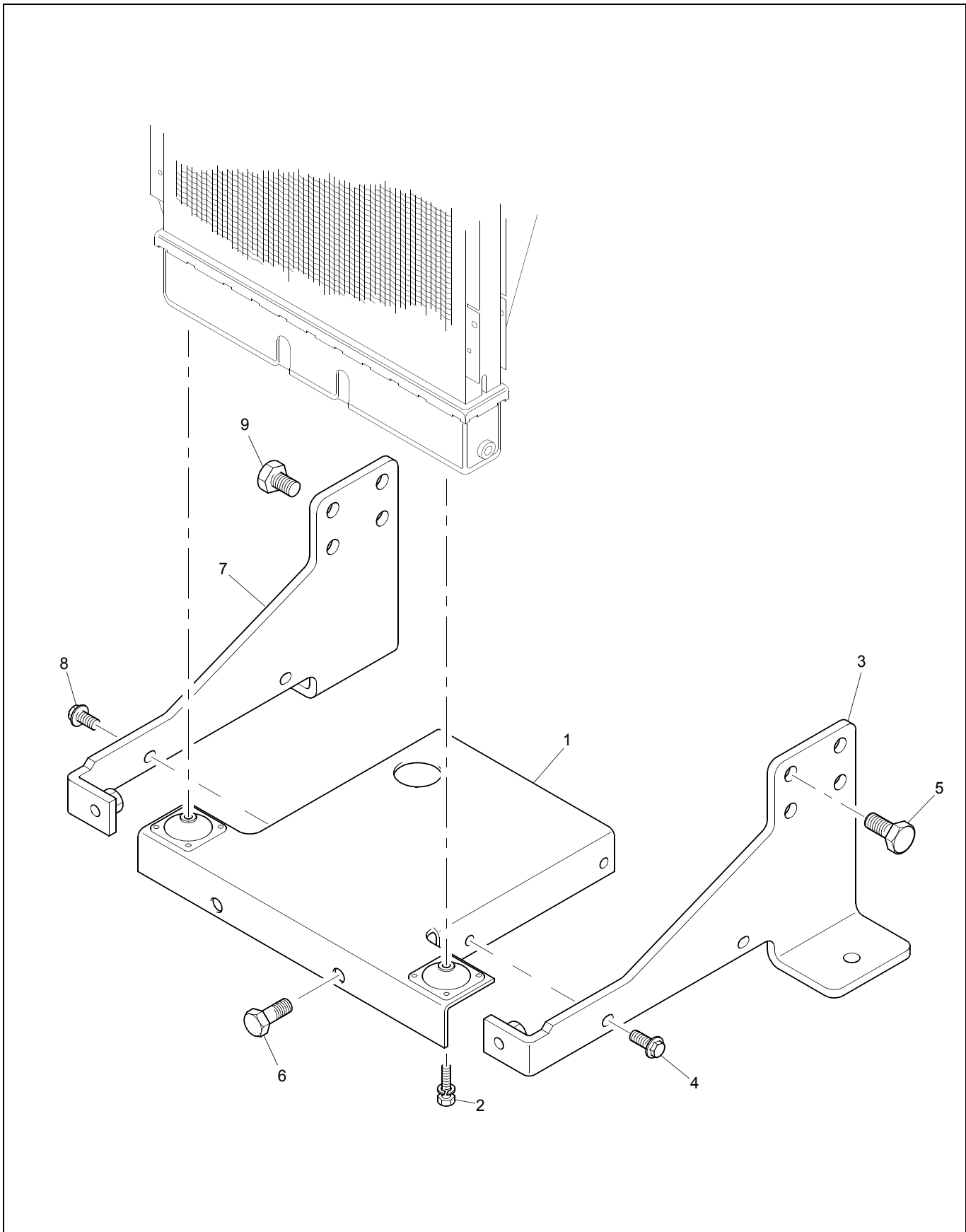
ZMPG0011



ZMPG0011

Item	Part No.	References	Qty.	Description	Notes
1	TPN441		1	RADIATOR	
2	└	⇒ TPN441	1	RADIATOR	
3	└24850072		1	RADIATOR CAP	
4	TPN616		1	HOSE	
5	0180067		1	CLIP	
6	0180067		1	CLIP	
7	TPN801		1	HOSE	
8	0180067		1	CLIP	
9	0180067		1	CLIP	

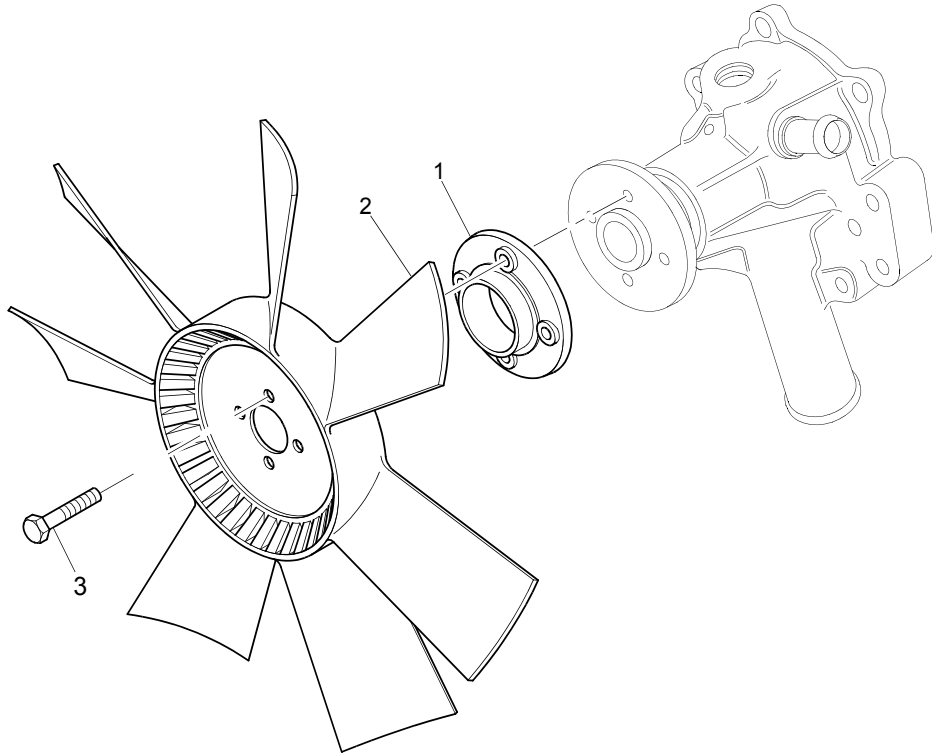
ZMPG0011



ZMPG0011

Item	Part No.	References	Qty.	Description	Notes
1	U45976870		1	BRACKET	
2	011310625		2	SCREW	
3	U45976910		1	BRACKET	
4	2314H003		2	SCREW	
5	010211225		4	SCREW	
6	011511025		2	SCREW	
7	U45976900		1	BRACKET	
8	2314H003		2	SCREW	
9	010211225		4	SCREW	

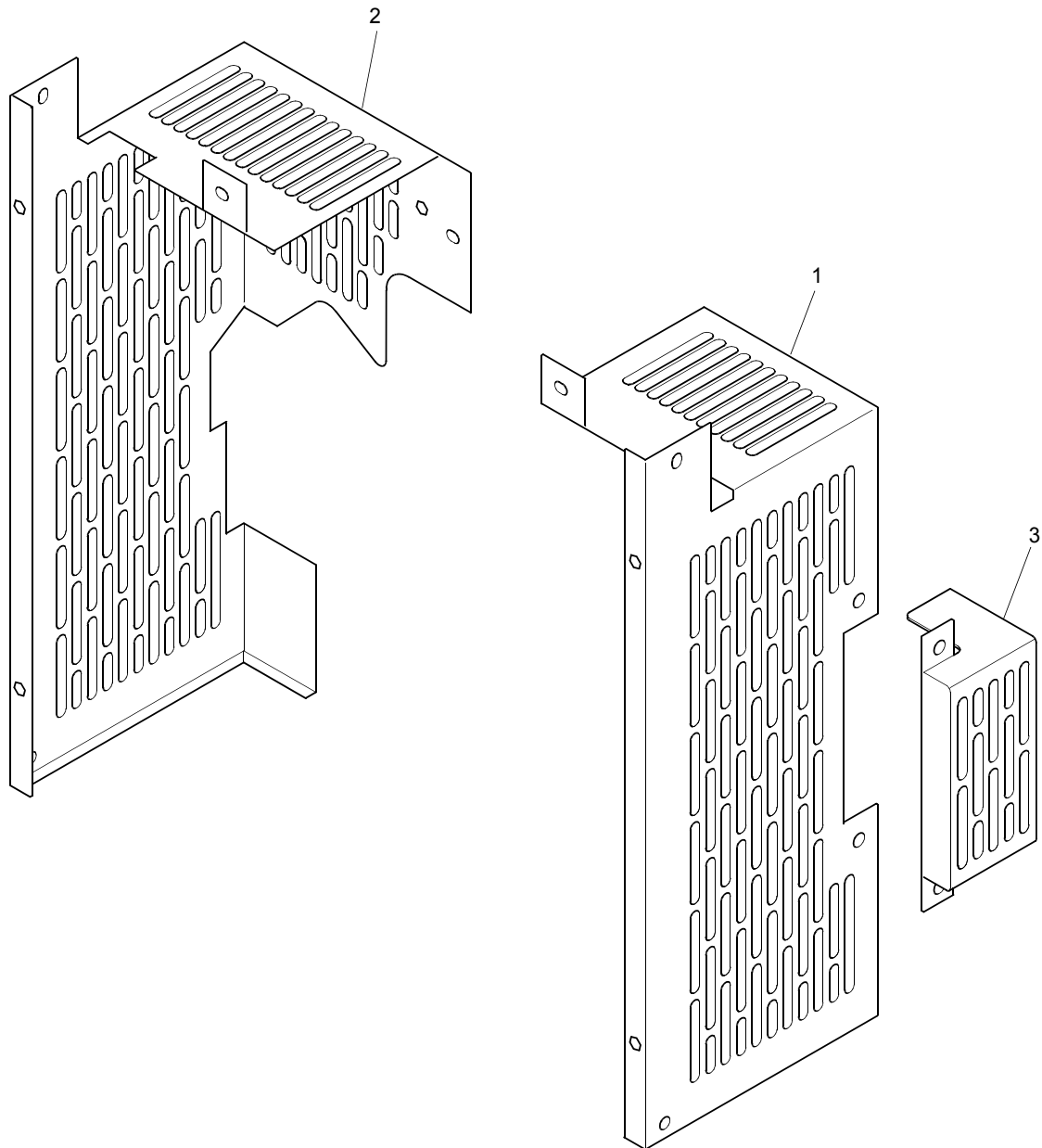
ZMPG0011



Fan	Plate A
ZMPG0011	

Item	Part No.	References	Qty.	Description	Notes
1	145386910		1	EXTENSION	
2	145306880		1	FAN	
3	011310625		4	SCREW	

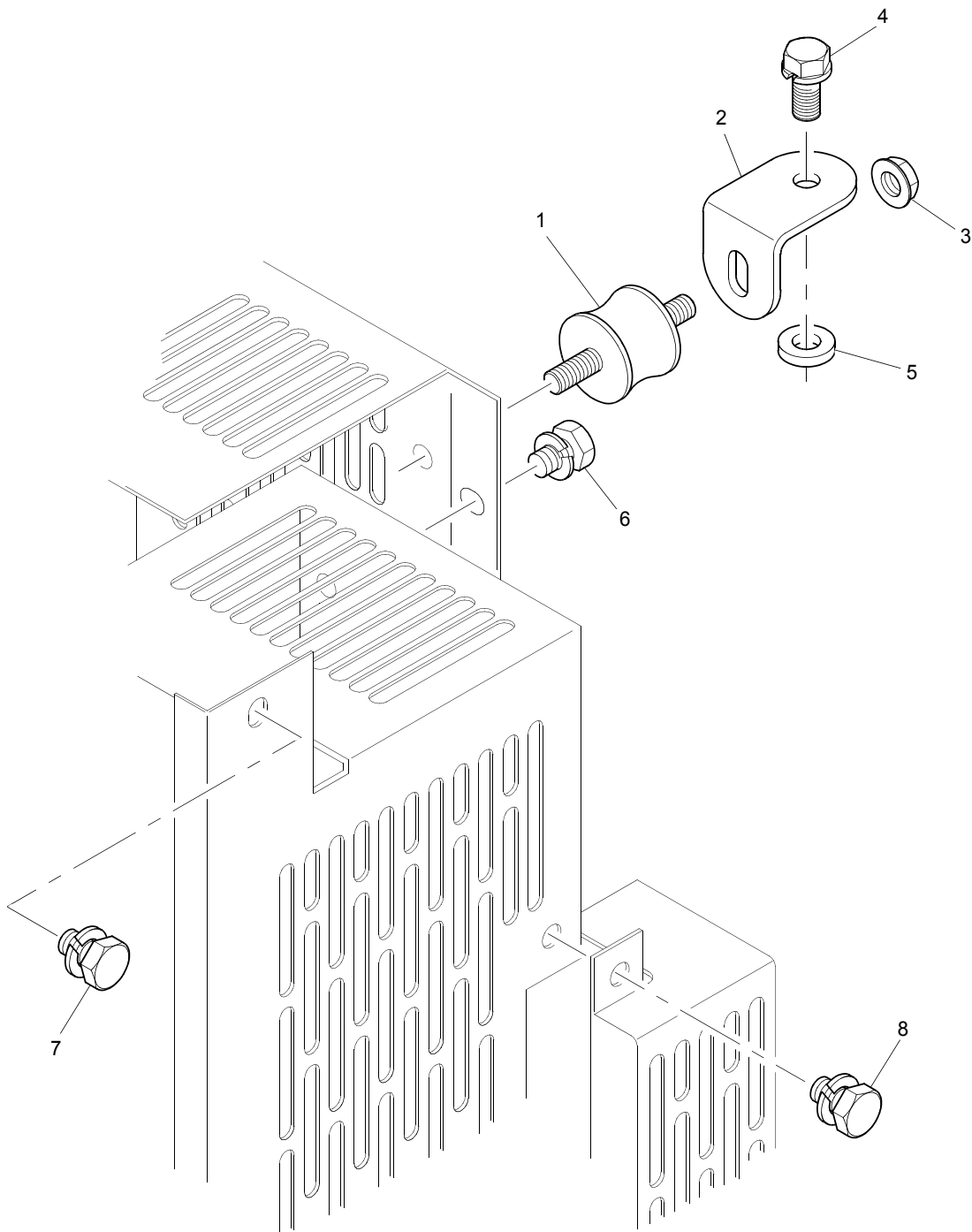
ZMPG0011



Guards	Plate A
	ZMPG0011

Item	Part No.	References	Qty.	Description	Notes
1	U45976930		1	RADIATOR GUARD	
2	U45976920		1	RADIATOR GUARD	
3	U85736540		1	GUARD	

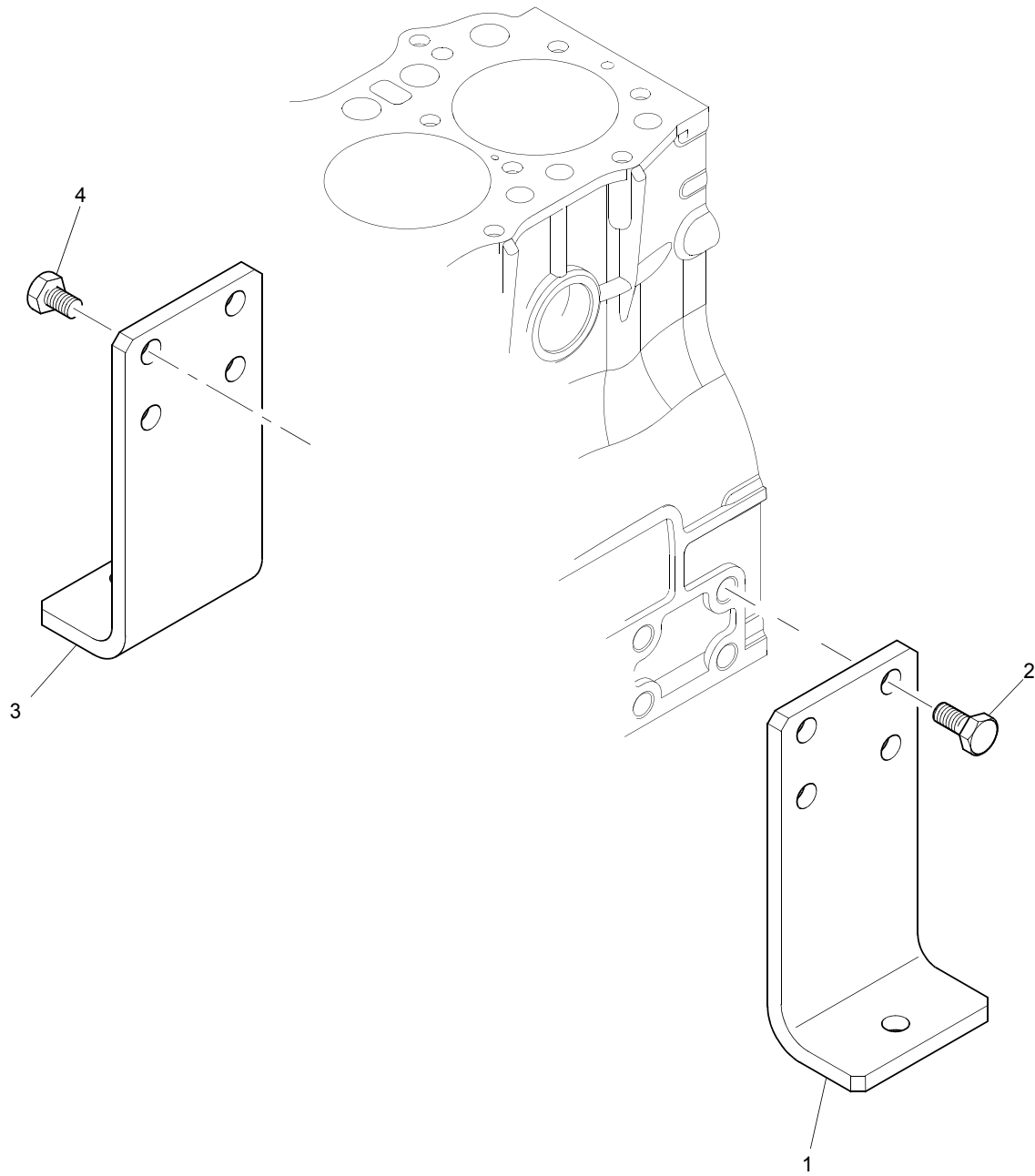
ZMPG0011



Guards	Plate B
	ZMPG0011

Item	Part No.	References	Qty.	Description	Notes
1	2638D017		1	MOUNTING	
2	145976890		1	BRACKET	
3	023100008		1	NUT	
4	011510816		1	SCREW	
5	199216340		1	SPACER	
6	011510812		1	SCREW	
7	011510812		6	SCREW	
8	011510812		2	SCREW	

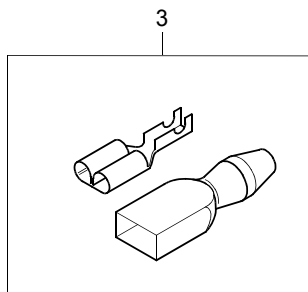
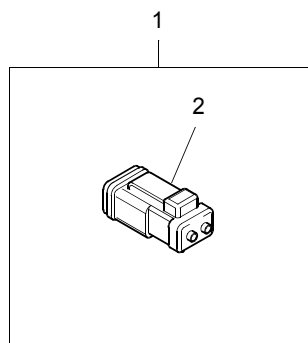
ZMPG0011



Engine Mounts	Plate A
	ZMPG0011

Item	Part No.	References	Qty.	Description	Notes
1	110266850		1	SUPPORT BRACKET	
2	010211225		4	SCREW	
3	110266850		1	SUPPORT BRACKET	
4	010211225		4	SCREW	

ZPPG0002



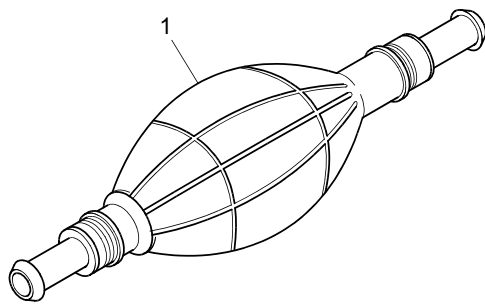
ZPPG0002

Item	Part No.	References	Qty.	Description	Notes
1	20195		1	CONNECTION KIT	
2	└	⇒ 20195	3	CONNECTION	
3	385620200		2	CONNECTION	(A)

Footnotes

(A) STARTER MOTOR

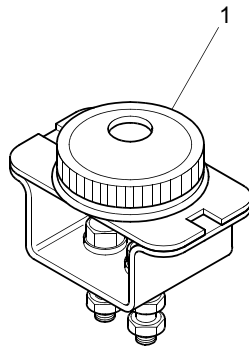
ZVPG0002



Fuel Pre-Lift Pump		Plate A
		ZVPG0002

Item	Part No.	References	Qty.	Description	Notes
1	130506300		1	PRIMER	

ZZPG0006



ZZPG0006

Item	Part No.	References	Qty.	Description	Notes
1	185306091		1	LAMP	

Description	Part No.	Page
ADJUSTING SCREW	199486220	25
AIR FILTER ASSEMBLY	135016340	91
ALTERNATOR	185046160	83
ANTI-TAMPER CAP	131276440	41
	131466270	41
	26420462	37
ARM	125156261	37
	125156262	37
BALL BEARING	040106203	11
	040109059	43
BANJO BOLT	198486871	113
BEARING HOLDER ASSEMBLY	110156400	15
	110156410	15
	110156420	15
	110416280	35
BELT	080109049	85
BIG END BEARING KIT	U5ME0031	15
	U5ME0031A	15
BOLT	010111030	101
	010311045	55
	010311085	87
	010810845	15
	131466251	41
	198486780	29
BRACKET	125616120	37
	130976670	101

Description	Part No.	Page
	145976890	125
	26510417	91
	U45976870	119
	U45976900	119
	U45976910	119
BREATHER VALVE	110566080	89
BUSH	198517290	27
	198517592	11
	198517596	11
CABLE	185606170	105
CAMSHAFT ASSEMBLY	120026890	43
CAMSHAFT GEAR	120016220	43
CAP	064210012	41
	064210015	11
	064210018	21, 21, 21
	064210030	21, 21
	120186080	21, 21
	385800010	111
CIRCLIP	036500021	17, 17
	036509005	11
	036800010	27
CLAMP	199106021	49, 49
CLIP	0180067	117, 117, 117, 117
	067100015	103, 103, 103, 103
	067100022	79, 79
	067200078	53, 53

Parts Index

Description	Part No.	Page
	21825194	93, 93
COLLAR	199236540	27
CON ROD ASSEMBLY	115026340	17
CON ROD BOLT	115176150	17
CON ROD NUT	020109075	17
CONNECTION	140546020	73
	385620200	129
CONNECTION KIT	20195	129
CONNECTOR	131246280	53
	185376362	105
CONTROL LEVER	125046612	39
	125046613	39
	125306120	39
	125306121	39
	125416440	109
COVER	140116140	27
CRANKSHAFT ASSEMBLY	115256970	15
CRANKSHAFT GEAR	115276280	15
CRANKSHAFT PULLEY	115397310	75
CYLINDER HEAD ASSEMBLY	111011020	21
CYLINDER HEAD COVER	111217490	89
DIPSTICK	198416820	65
DIPSTICK TUBE	110756490	65
DOWEL	030500512	11

Description	Part No.	Page
	030500612	15, 15, 15
	030500616	11
	030501025	11
	030509018	27
EXHAUST MANIFOLD	135616311	95
EXHAUST VALVE	120176250	21
EXTENSION	145386910	121
FAN	145306880	121
FLANGE	314120070	97, 97
FLYWHEEL ASSEMBLY	115356910	57
FLYWHEEL HOUSING	110446580	55
FUEL FILTER ASSEMBLY	2656613	101
FUEL FILTER KIT	26561117	101
FUEL INJECTION PUMP	131017961	47
FUEL PIPE	131246270	103
GASKET	135996750	89
	165996640	37
GASKET - CYLINDER HEAD	111147560	23
	111147570	23
GASKET - EXHAUST	314990013	97, 97
GASKET - EXHAUST MANIFOLD	135996541	95
GASKET - SUMP	110996900	63

Description	Part No.	Page
GASKET - THERMOSTAT HSG	145996840	77
	145996850	81
GASKET - TIMING CASE	165996570	13
	165996621	33
GASKET - WATER PUMP	145996830	79
GAUZE	110666060	89
GLOWPLUG	185366250	105
GUARD	U85736540	123
GUDGEON PIN	115326231	17
HOSE	068209104	103
	068209166	103
	145536051	79
	TPN616	117
	TPN667	93
	TPN801	117
IDLER GEAR	165026250	27
INDICATOR	26510402	91
INJECTOR	131406470	51
INTAKE VALVE	120166360	21
KEY	030509020	15
	385210061	111
LAMP	185306091	133
LEVER	185726670	83
LIFT PUMP	130506351	99
LIFTING EYE	195816540	107, 107
MAIN AIR FILTER	135326205	91

Description	Part No.	Page
MAIN BEARING KIT	U5MB0026	15
	U5MB0026A	15
METRIC BOLT	011100408	89
MOUNTING	2638D017	125
NEEDLE BEARING	042303015	11
NUT	020100004	105
	020109076	25
	020109177	41
	020109231	41
	020800010	39
	020800018	75
	020900010	55, 101
	023100004	105
	023100006	33, 47, 49, 79, 95
	023100008	25, 37, 93, 125
	023100010	87
	024500006	39
	024600008	89
	2318A207	37
	2648A120	37
OIL FILLER CAP	198436350	69
	398430080	69
OIL FILTER	140517050	71
OIL PIPE	140607270	29
	140986830	63
OIL PRESSURE SWITCH	185246280	113

Parts Index

Description	Part No.	Page
OLIVE	33811114	103, 103
PIN	030300414	35
	030300816	15
	030309005	11
	031100004	39
PIPE	068204112	53
PIPE - AIR	135566480	89
PIPE - FUEL INJ NO 1 CYL	131507740	49
PIPE - FUEL INJ NO 2 CYL	131507750	49
PIPE - FUEL INJ NO 3 CYL	131507760	49
PIPE - LEAK OFF	131606920	53
PIPE - LOW PRESSURE FUEL	131246290	103
PISTON AND RING KIT	115017620	17
PISTON RING KIT	115104090	17
PLATE	165206780	87, 87
	199566651	43
	390190030	111
	U65166570	13
PLUG	064100045	11
	064210025	11
	064210035	11
	064210040	11, 11
	064400010	113
	064500030	77
	064500060	77

Description	Part No.	Page
	0650204	103
	198436150	25
	198436290	65
	198466010	11, 11, 11
	198466050	11
	198466940	11, 11
	32184226	103
	398460091	55
PRIMER	130506300	131
PUSHROD	120456222	25
RADIATOR	TPN441	117
RADIATOR CAP	24850072	117
RADIATOR GUARD	U45976920	123
	U45976930	123
REGULATOR	185516061	83
RELIEF VALVE	140036220	31
RETAINING PLATE	110666220	89
RING	198346160	41
ROCKER ARM ASSEMBLY	120356200	25
	120356210	25
ROCKER BOX ASSEMBLY	120036901	25
ROCKER SHAFT	120316300	25
ROCKER SHAFT SPRING	198216780	25
SCREW	010109235	63, 65
	010109238	67
	010109340	57

Description	Part No.	Page
	010110625	49
	010211225	119, 119, 127, 127
	010311020	55
	010700610	43
	010700845	15
	010810840	15, 15
	011310612	13, 43, 63, 65
	011310614	37
	011310620	47, 81, 89
	011310625	25, 89, 95, 119, 121
	011310635	83
	011310640	33, 83
	011310660	33, 77
	011310680	89
	011510812	125, 125, 125
	011510816	107, 107, 125
	011510820	101
	011510825	97, 97
	011510830	83
	011510850	15, 15
	011511025	119
	011511035	83
	015100410	25
	015600406	89

Description	Part No.	Page
	111136440	23
	111136450	23
	131046640	41
	2314F003	99
	2314H003	93, 119, 119
	2314H005	93
	2315C039	37, 37
SEAL	0490786	101, 101
SEAL - CYL HEAD COVER	111996420	89
SEAL - FRONT END OIL	198636090	35
SEAL - INJECTOR	131426200	51
SEAL - O RING	052100070	37
	052100080	39
	052100100	65, 65
	052100120	25
	052100280	69
	052100400	69
	052109076	63
	052109078	31
	052300550	87, 87
	052300600	35, 87
	2415A070	99
	26560014	101
SEAL - REAR END OIL	050209107	19
SEAL - ROCKER BOX	120996150	25

Parts Index

Description	Part No.	Page
SEAL - VALVE STEM	120406050	21
	120406070	21
SHAFT	125116211	39
	125116221	39
	165296142	11
SHIM	131437590	47
	131437600	47
	131437610	47
	131437620	47
	131437630	47
	131437830	47
	131437840	47
	199286150	27
	199286160	27
	199286170	27
	199286180	27
SLIDER	125256220	43
SMALL END BUSH	198517125	17
SOLENOID	185206450	109
SPACER	199216320	43
	199216340	93, 125
SPEED SENSOR	131046560	39
SPRING	198216720	27
	198216821	27
	198217750	37
	198217870	37
	198217880	39

Description	Part No.	Page
	198217900	41
STARTER MOTOR	185086610	59
STARTER RING	115376130	57
STRAINER	140406500	63
STUD	010109440	11
	012109177	25
	012110625	23
	012110635	11
	012110660	11
SUMP	110708510	63
SUPPORT BRACKET	110266850	127, 127
	135976630	93
SWITCH	385201161	111
TAPPET	120116160	25
TERMINAL	385620320	83
THERMOSTAT	145206062	77
THERMOSTAT HOUSING	145216540	77
	145226470	81
TIMING CASE	165106860	35
VALVE	26510194	91
VALVE COLLET	120226070	21, 21
VALVE SEAT INSERT	TPN645	21
VALVE SPRING	198216700	21, 21
VALVE SPRING CAP	120216040	21, 21
WASHER	025100006	39, 41, 53
	025100010	41

Description	Part No.	Page
	025100016	67, 109
	026100008	101
	026100010	83
	026109017	83
	026200010	55, 101
	027100004	105
	027100010	55, 101
	0920146	103
	0920154	103
	140996260	29, 29, 89, 113, 113
	199266180	45
	199280280	25
WATER PUMP	145010061	79
WATER PUMP PULLEY	145336490	61
WATER TEMPERATURE SWITCH	385720510	115
WOODRUFF KEY	034100508	43, 75